

NOTICE OF PUBLIC HEARING  
THE FREEPORT CITY COUNCIL  
MONDAY, MARCH 21, 2016, 6:00 P.M.  
FREEPORT MUNICIPAL COURT ROOM  
FREEPORT POLICE DEPARTMENT, 430 NORTH BRAZOSPORT BLVD.  
FREEPORT, TEXAS  
AGENDA

1. Call to order.
2. Invocation.
3. Pledge of Allegiance.
4. Attending citizens and their business.
5. Consideration of approving February 16, 2016 Council Minutes. Pg. 115-118
6. **Proclamation:** Recognizing March 29<sup>th</sup> as "Vietnam Veterans Day". Pg. 119
7. Consideration of approving a residential tax abatement application for a new house for Patrick & Mary Bel Garza, # 2 South Ave. D., Freeport Texas and setting a Public Hearing date to consider designating the following described property located within the corporate boundaries of the City as a reinvestment zone for the purpose of entering into an agreement with the owner or owners thereof granting a tax abatement : Block 5, Lot 1, 2 Velasco Townsite, a subdivision in the City of Freeport, Brazoria County, Texas according to the map or plat of said subdivision on file in the plat records of said county, known as # 2 South Ave. D. Pg. 120-124
8. Consideration of approving a residential tax abatement application for remodeling for Nicholas Sanchez, 1932 N. Ave. H, Freeport Texas and setting a Public Hearing date to consider designating the following described property located within the corporate boundaries of the City as a reinvestment zone for the purpose of entering into an agreement with the owner or owners thereof granting a tax abatement : Block 5, Lot 16, Riverside Terrace, a subdivision in the City of Freeport, Brazoria County, Texas according to the map or plat of said subdivision on file in the plat records of said county, known as # 1932 N. Ave. H. Pg. 125-126
9. Consideration of approving Ordinance No. 2016-2107 amending Chapter 51 of the Code of Ordinance by adding sections to address the discharge of fats, oils, and grease into the sanitary sewer system. Pg. 128-133
10. Consideration of approving Ordinance No. 2016-2108 providing for collection of Scofflaw Fees pursuant to Texas Transportation Code Section 702. Pg. 134

11. Consideration of approving an Interlocal Agreement with Brazoria County to participate in the Scofflaw program. Pg. 135-142
12. Consideration of approving and awarding a bid for Mystery Harbor Lane and Front Street, authorizing the City Manager or his designee to negotiate a contract with the successful bidder and authorizing the Mayor and City Secretary, respectively, to execute and attest such contract. Pg. 143
13. Consideration of approving and modifying the Freeport Historical Museum Foundations, Bylaws. Pg. 144-148
14. Consideration of approving and releasing the City's interest in trust property on Block 809, Lot 15, 18-19, Velasco Townsite, known as 1805 and 1811-1813 North Ave. P. Tax Id. 8110-4177-000. Pg. 149-152
15. Consideration of approving and releasing the City's interest in trust property on Block 715, Lot 24, Velasco Townsite, known as 1223 N. Ave. M., Tax Id. 8110-3076-000. Pg. 153-156
16. Consideration of approving and releasing the City's interest in trust property on Block 36, Lot 9-10, 12 Velasco Townsite, known as 618-620, 624 S. Gulf Boulevard, (old Surfside Rd.) Tx Id. 8110- 0394-000. Pg. 157-160
17. Consideration of approving the purchase of police radio dispatch console desks, furniture, and flooring using a combination of city funds and awarded grant monies. Pg. 161-172
18. Consideration of approving a request from the Hispanic Chamber of Commerce to have a Cinco De Mayo Parade on Saturday, May 7, 2015 at 11:00 a.m., from the Freeport Museum to Baywood's parking lot. This will require closing East Park, from its intersection with 4<sup>th</sup> Street, to its intersection with 2<sup>nd</sup> Street, and closing of Second Street, from its intersection with East Park past its intersection with Brazosport Boulevard, to its end at the diversion channel of the Brazos River adjacent to Baywood's parking lot. Pg. 173
19. Consideration of approving Ordinance No. 2016-2109 amending Ordinance No. 2016-2103 of said city, which called the annual General Election for the City of Freeport for the second Saturday in May 2016, being May 7, 2016, at which the voters of said city residing in Wards A and C shall be permitted to vote for or against the candidates for positions A and C on the City Council of the City of Freeport; amending the provisions of said ordinance designating polling places for the day of said election and amending the provisions of said ordinance designating polling places for early voting. Pg. 174-183
20. Consideration of approving Ordinance No. 2016-2110 amending Ordinance No. 2016-2104, which called a Charter Amendment Election for said City on the question of adopting eight (8) amendments to the Home Rule Charter of said City; as amended by Ordinance No. 2016- 2106 to amend the provisions of said ordinance designating polling places for the day

of said election and amending the provisions of said ordinance designating polling places for early voting. Pg. 184-199

21. Consideration of approving Ordinance No. 2016-2111 amending the budget for Fiscal Year 2015-2016. Pg. 200-205
22. Consideration of the approval of any action to be taken, including the adoption of Resolutions No. 2016-2489, as a result of closed Executive Session.

Executive Session:

Section 551.071, Government Code:

Consultation with City Attorney concerning pending or contemplated litigation, settlement offers or other matters in which his duty to the City Council under the Texas Disciplinary Rules of Professional Conduct of the State Bar of Texas clearly conflicts with Chapter 551, Government Code, to wit:

- Planning Commission

Adjourn

Items not necessary discussed in the order they appear on the agenda. The Council at its discretion may take action on any or all of the items as listed. This notice is posted pursuant to the Texas Open Meeting Act. (Chapter 551, Government Code).

In compliance with the Americans with Disabilities Act, the City of Freeport will provide for reasonable accommodations for persons attending City Council Meetings. Request should be received 48 hours prior to the meeting. Please contact the City Secretary office at 979-233-3526.

I, Delia Munoz City Secretary for the City of Freeport, Texas certify that this agenda was posted on the official bulletin board/glass door of City Hall, facing the rear parking lot of the building, with 24 hours a day public access, 200 West 2nd Street, Freeport Texas, March 18, 2016 at or before 5:00 p.m.

---

Delia Munoz - City Secretary  
City of Freeport, Texas

State of Texas

County of Brazoria

City of Freeport

BE IT REMEMBERED, that the City Council of the City of Freeport, met on Tuesday, February 16th, 2016 at 6:00 p.m. at the Freeport Police Department, Municipal Court Room, 430 North Brazosport Boulevard, Freeport Texas for the purpose of considering the following agenda items:

City Council: Mayor Norma Moreno Garcia  
Councilman Johnathan Sublet  
Councilman Fred Bolton  
Councilwoman Sandra Loeza  
Councilwoman Sandra Barbree

Staff: Jeff Pynes, City Manager  
Gilbert Arispe, Assistant City Manager  
Wallace Shaw, City Attorney  
Delia Munoz, City Secretary  
Nat Hickey, Property Manager  
Brian Davis, Fire Chief  
Dan Pennington, Police Chief

Visitors: Bill Morris Lila Lloyd  
Moby Burridge Evelyn Burridge  
Margaret McMahan Edward T. Garcia  
Nicole Mireles Sam Reyna  
Louie Jones Melanie Oldham  
Raul Ramirez Manning Rollerson  
Larry Fansher Annette Sanford  
Jerry Meeks Jay Garcia  
Nicole Mireles Sam Reyna  
Ruth Renobato Reuben Renobato  
Jennifer Hawkins

Call to order.

Mayor Norma Moreno Garcia called the meeting to order at 6:00 p.m.

Invocation.

Wallace Shaw offered the invocation.

Pledge of Allegiance.

Mayor Norma Moreno Garcia led the Pledge of Allegiance.

Attending citizens and their business.

Margaret McMahan spokesperson for the “Concern Citizens of Freeport” stated that the petition turned in to the City Secretary to place two proposed amendments to the City Charter had 509 signatures for the majority vote instead of plurality and 501 signatures for establishing term limits for Council, to be placed on the May 2016 ballot.

Manning Rollerson commented on his grandson being slapped in school and the Police Department failed to process the complaint. His grandson has not been in school in over 2 years. He advised Council of a lawsuit against them. He complained about the ditches on Second Street and Terminal and requested they be serviced.

Ruben Renobato recommends the majority rule because it's a better representation of the people, it benefits all of Freeport.

Councilman Sublet stated that he believes in the City and the people, but he sensed a lot of tension in the audience, wants us to remember that we need to preserve results and relationships and how we talk to one another and how we conduct business with respect.

Consideration of approving February 1, 2016 Council Minutes.

On a motion by Councilwoman Loeza, seconded by Councilwoman Barbree, with all present voting “Aye”, Council unanimously approved the February 1, 2016 Council Minutes.

Consideration of approving Ordinance No. 2016-2105 amending Division (D) of Section 50.04 of the Code of Ordinance of said City to specify the type of cart that may be used and additional rules dealing with the placement of waste for collection; amending Division A of Section 50.06 of said Code of Ordinances to provide that the cost of each additional residential size cart at the same family unit shall be \$14.37 per month; amending Division (B) of Section 50.06 to provide that the charge for residential size carts and the collection and disposal of solid waste stored in such carts at each commercial or business location within the City shall be \$22.78 per month per cart and the charge for additional carts at the same location shall be \$14.37 each per month.

On a motion by Councilman Bolton, seconded by Councilwoman Loeza, with all present voting 4 to 1, Council approved Ordinance No. 2016-2105 amending Division (D) of Section 50.04 of the Code of Ordinance of said City to specify the type of cart that may be used and additional rules dealing with the placement of waste for collection; amending Division A of Section 50.06 of said Code of Ordinances to provide that the cost of each additional residential size cart at the same family unit shall be \$14.37 per month; amending Division (B) of Section 50.06 to provide that the charge for residential size carts and the collection and disposal of solid waste stored in such carts at each commercial or business location within the City shall be \$22.78 per month per cart and the charge for additional carts at the same location shall be \$14.37 each per month. Councilwoman Barbree opposed.

Consideration of advertising and setting a bid date for March 18th, 2016 to install license plates readers at various entry/ exit points to the City of Freeport.

On a motion by Councilwoman Loeza, seconded by Councilwoman Barbree, with all present voting "Aye", Council unanimously approved to advertise and set a bid date for March 18th, to install license plates readers at various entry/exit points to the City of Freeport.

Consideration of receiving and taking action on a petition to submit the question of amending the Home Rule Charter to change election by plurality to election by majority.

On a motion by Councilwoman Loeza, seconded by Councilman Bolton, with all present voting 4 to 1, Council approved to take action on a petition to submit the question of amending the Home Rule Charter to change election by plurality to election by majority. Councilwoman Barbree opposed.

Consideration of receiving and taking action on a petition to submit the question of amending the Home Rule Charter to limit the number of consecutive terms the mayor and other city council members may serve.

On a motion by Councilwoman Loeza, seconded by Councilman Bolton, with all present voting 4 to 1, Council approved to take action on a petition to submit the question of amending the Home Rule Charter to limit the number of consecutive terms the mayor and other city council members may serve. Councilwoman Barbree opposed.

Consideration of amending Ordinance No. 2016- 2104 by approving Ordinance No. 2016-2106 calling a Charter Amendment Election including agenda item No. 8 and 9, if either item is approved by the City Council, adopting amendments to the Home Rule Charter of the City of Freeport.

On a motion by Councilwoman Loeza, seconded by Councilman Sublet, with all present voting "Aye", Council unanimously approved to amend Ordinance No. 2016-2104 by approving Ordinance No. 2016 calling a Charter Amendment Election to include agenda item No. 8 and 9 approved by the City Council, adopting amendments to the Home Rule Charter of the City of Freeport.

Consideration of approving a request for an extension for the gate closure at South Levee from the Velasco Drainage District for the repair of the South Levee Gravity Structure.

On a motion by Councilwoman Loeza, seconded by Councilwoman Barbree, with all present voting "Aye", Council unanimously approved a request for an extension for the gate closure at South Levee from the Velasco Drainage District for the repair of the South Levee Gravity Structure.

Consideration of purchasing a Case 580 Super N Tier 4 Final 4 Wheel Drive Backhoe for joint use between the Street Department and Veolia Water.

On a motion by Councilwoman Loeza, seconded by Councilwoman Barbree, with all present voting "Aye", Council unanimously approved the purchasing of a Case 580 Super N Tier 4 Final 4 Wheel Drive Backhoe.

Consideration of the approval of any action to be taken as a result of closed Executive Session.

*No action taken*

Mayor Norma M. Garcia closed the Formal Session and opened the Executive Session at 6:35 p.m.

Executive Session:

Section 551.071, Government Code:

Consultation with City Attorney concerning pending or contemplated litigation, settlement offers or other matters in which his duty to the City Council under the Texas Disciplinary Rules of Professional Conduct of the State Bar of Texas clearly conflicts with Chapter 551, Government Code, to wit:

- Port Freeport – Interlocal Agreement

Section 551.074, Government Code:

Deliberations concerning the duties, employment, evaluation, employment contract of a public officer or employee:

- City Manager

Mayor Norma Moreno Garcia closed the Executive Session at 7:09 p.m.

Adjourn

Mayor Norma Garcia reconvened the Formal Session at 7:09 p.m.

On a motion by Councilman Sublet, seconded by Councilwoman Barbree, with all present voting “Aye”, Mayor Norma Garcia adjourned the meeting at 7:09 p.m.

---

Mayor Norma Moreno Garcia  
City of Freeport, Texas

---

City Secretary, Delia Munoz  
City of Freeport, Texas

## **PROCLAMATION**

Recognizing March 29th as "Vietnam Veterans Day"

WHEREAS, 2009 SB 1903 established March 29 as Vietnam Veterans Day and requires the day to be regularly observed by appropriate ceremonies; and

WHEREAS 2009 HCR 182 designate March 29, 2010, as Vietnam Veterans Day in the State of Texas; and

WHEREAS, March 29, 2016, represents the 43th anniversary of the withdraw of the last 2,500 combat troop from South Vietnam thus ending American involvement in the Vietnam conflict; and

WHEREAS, thousands of brave Americans served our country in this conflict with courage, honor, and valor; and

WHEREAS, more than 58,000 individuals made the ultimate sacrifice in Vietnam and more than 300,000 more were wounded in combat; and

WHEREAS, over 2,000 Americans are still missing and unaccounted for from the Vietnam conflict, and their families, friends, and fellow veterans still endure uncertainty concerning their fate; and

WHEREAS, in 1974 March 29 was declared Vietnam Veterans Day by Presidential order with the support of Congress and in 2012 this day was declared to be recognized in perpetuity

NOW, THEREFORE, WE THE CITY COUNCIL OF FREEPORT hereby proclaim

### **March 29th as VIETNAM VETERANS DAY**

and urge all citizens to join in this special observance and take this opportunity to honor and thank our Vietnam veterans and to pay tribute to those who have served, and to reaffirm our dedication to showing a generation of veterans the respect and support of a grateful Nation.

Signed this 7<sup>TH</sup> day of March 2016



TAX REINVESTMENT ZONE  
RESIDENTIAL APPLICATION

SECTION I

Property Owner(s): Patrick and Mary Garza

Mailing Address:

Telephone Number:

8 South Ave D Freeport, TX 482-7536

Property Owner's Representative: Patrick Garza

Mailing Address:

Telephone Number:

8 South Ave D Freeport, TX 482-7536

Property Address (physical):

2 South Ave D

Property Legal Description:

BKS Lot 62

Located within: City of Freeport  Freeport ET

Description of Project:

new house

Date of projected occupation of project/initiation of operations:

12/16 / 3/16  
starting

SECTION II

Fiscal Impact:

What is the value of real property improvements added to the tax rolls? \$ 138,900

What utility construction is required: water, elec, plumbing

Community Impact:

Is the project compatible with the City's comprehensive plan? Yes

What adverse environment impact will be created by the project: None

---

---

---

---

Date: 2/22/16

Applicant(s) Signature(s)

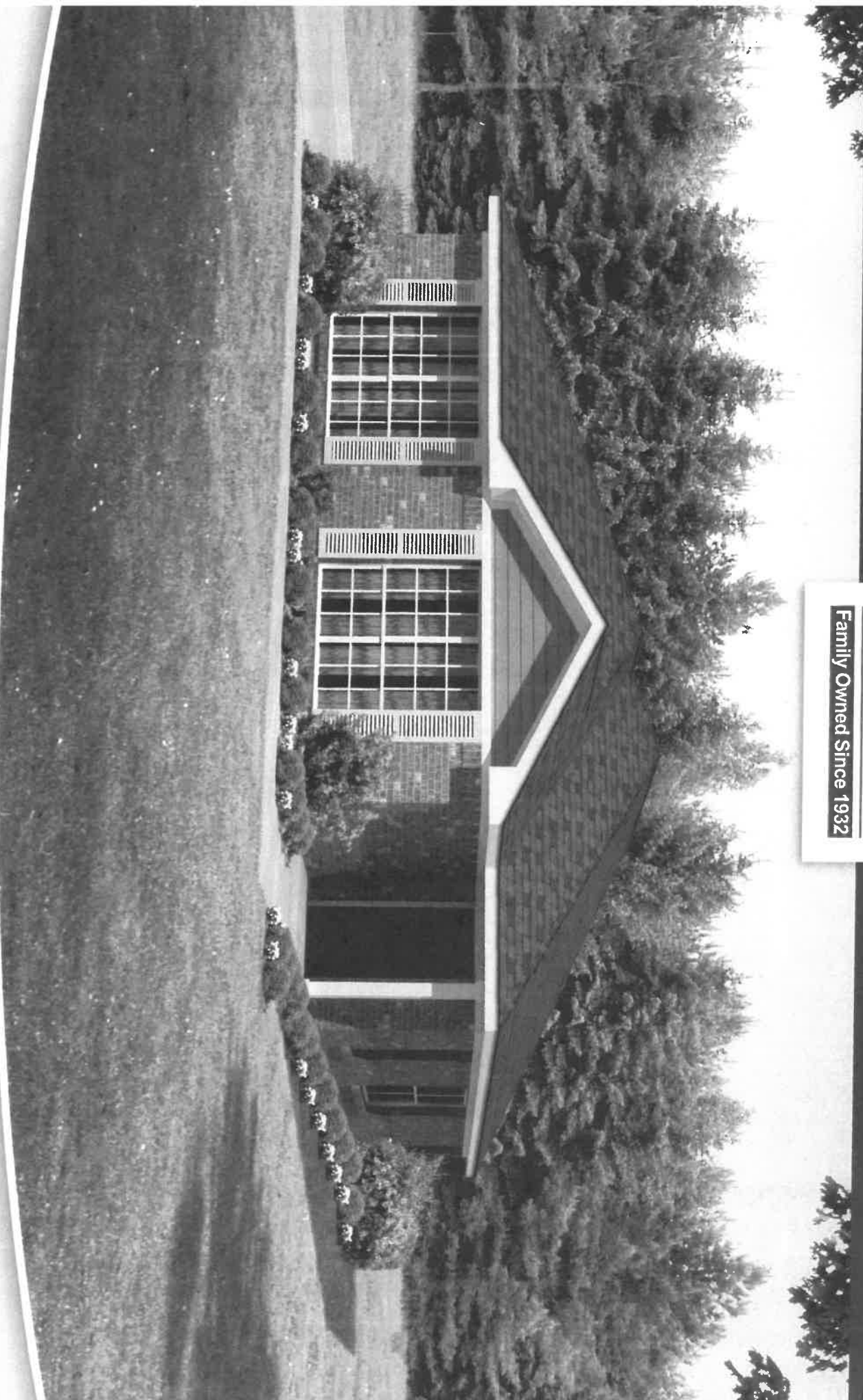
M. Bueger  
X. Peller

Pd 7500 2/22/16 CR# 3850

San Augustine  
Elevation B

**TILSON**  
HOME CORPORATION  
Family Owned Since 1932

1,388 Sq



P122

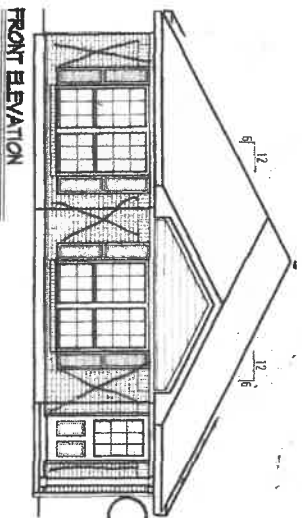
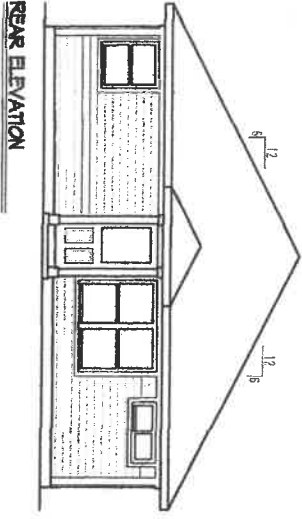
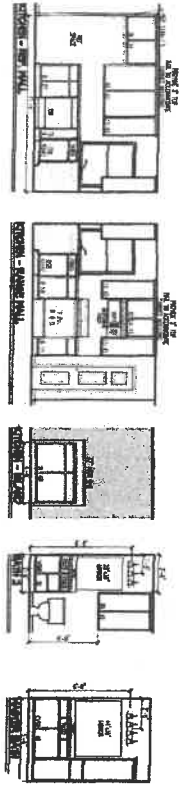
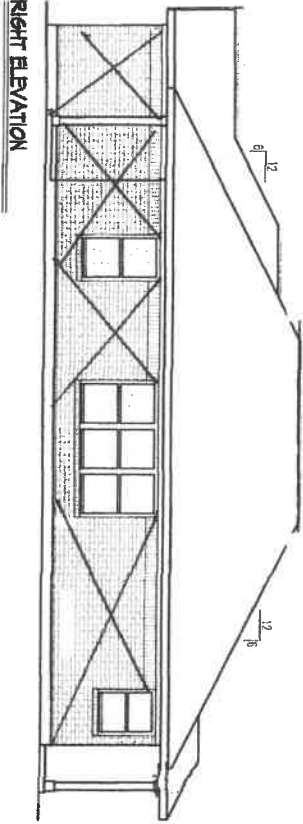
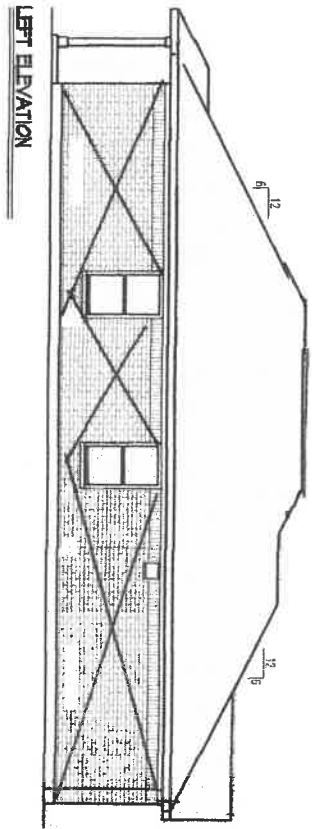
Change this plan any way you want. Move a wall, add a room —  
Just ask!

[www.TilsonHomes.com](http://www.TilsonHomes.com)



© Copyright 2011, Tilson Home Corporation  
Tilson continuously improves home designs and reserves the right to modify home features and specifications without notice or obligation. Square footage is approximate and includes overall dimensions. Renderings are drawn to be substantially correct. Tilson standard features may vary by home design and/or location. Contact a Tilson Sales Associate for details.

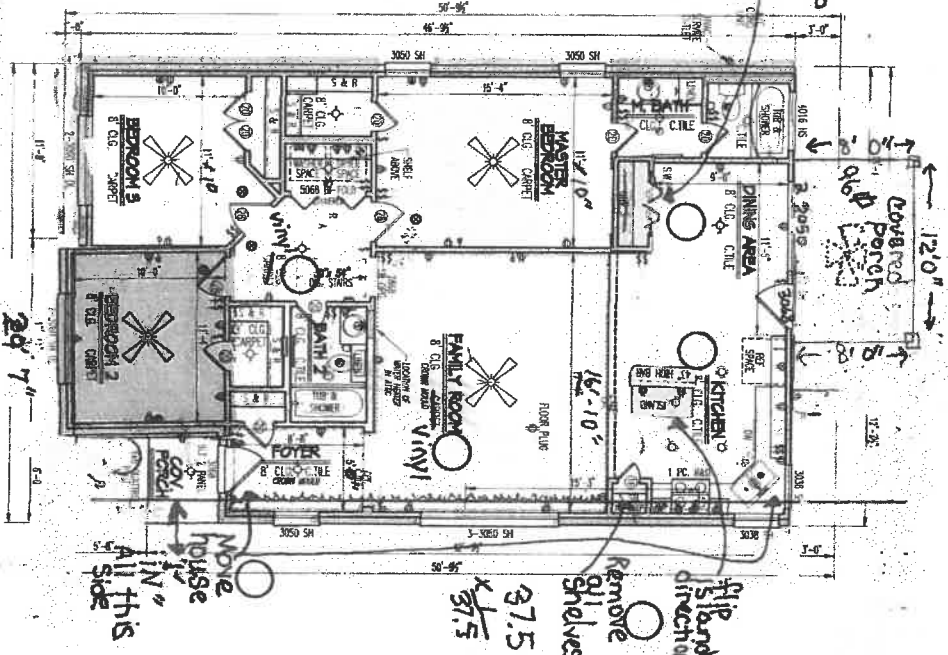
Living-22



FLOORING AREAS

MASTERS BATH	48 SQ FT
KITCHEN/PANTRY	274 SQ FT
PANTRY ROOM	269 SQ FT
FLOOR	58 SQ FT
BATH 2	22 SQ FT
BEDROOM 2	133 SQ FT
BEDROOM 3	138 SQ FT
HALL/UTILITY	78 SQ FT
MASTERS BEDROOM	211 SQ FT

Flip Closet to face dining, use bi-fold doors, put shelves from Pantry here



Remove brick Living area to increase by 6" 136.18  
 Replace brick with Handl plank

REVERSE PLAN

YES  NO

TOTAL ELECTRIC

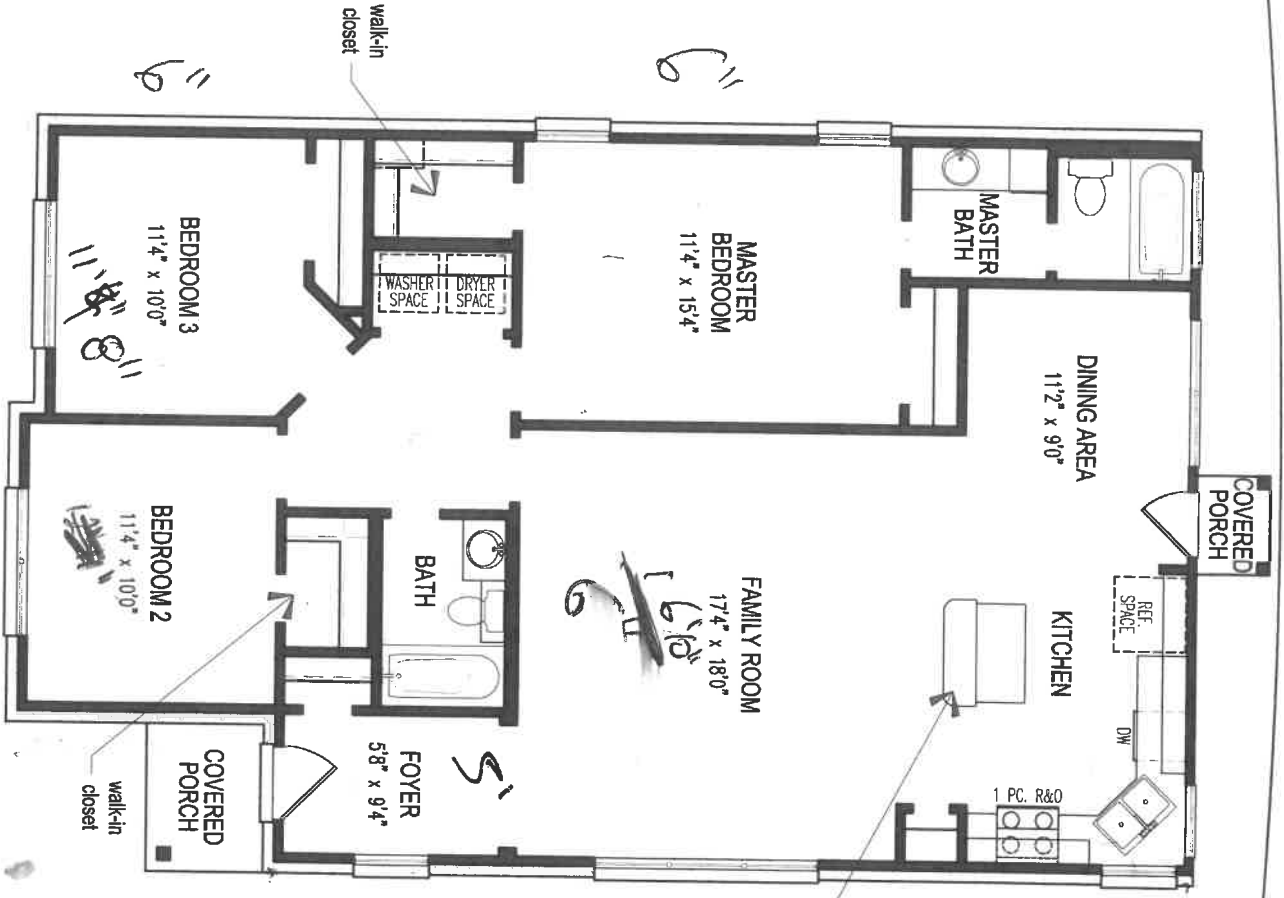
YES  NO

MS 01-9 San Augustine "B" Elevation - Gable

WORK COPY

# San Augustine Elevation B

1,388 Sq. Ft.  
3 Bedrooms  
2 Full Bathrooms



Handwritten calculations:  
 11.10  
 11.4  
 5.50  
 -----  
 28.2"

11.4  
 16.10  
 28.2"

11.8  
 12.11  
 6.00  
 -----  
 19  
 28.2" 30 - 12/7

Handwritten signature: *Thomas*

Handwritten signature: *[Signature]*

Angleton 800-275-0261	Bryan 800-275-8576	Houston 800-683-5171	McKinney 800-291-6812	San Marcos 800-929-2458	Weatherford 800-807-8093
Boerne 800-929-4663	Georgetown 888-816-2997	Katy 866-846-4443	Midlothian 855-243-4583	Spring 888-540-6710	

**TILSON**  
HOME CORPORATION  
Family Owned Since 1932

TAX REINVESTMENT ZONE  
RESIDENTIAL APPLICATION

SECTION I

Property Owner(s): Nicholas Sanchez

Mailing Address: 1932 N Ave H

Telephone Number(s): 979-236-9975

Property Owner's Representative: \_\_\_\_\_

Mailing Address: \_\_\_\_\_

Telephone Number(s): \_\_\_\_\_

Property Address (physical): 1932 N Ave H

Property Legal Description: Riverside Terrace Block 5 Lot 16  
include an attachment if described by metes and bounds)

Located within: City of Freeport yes Freeport ET \_\_\_\_\_

Description of Project: Entire demo & remodel  
est cost of \$90,000.00

Date of projected occupation/initiation of operations: 2/24/14

SECTION II

Fiscal Impact:

What is the value of real property improvements added to the tax rolls? \$ 73,000.00

What utility construction is required:

Plumbing and electrical

Community Impact:

Is the project compatible with the City's comprehensive plan?  
Yes (✓) No ( )

Describe any possible adverse environment impact created by project:

---

---

---

Date: 2/17/16

Applicant(s) Signature(s)

Nicholas Gentry

---

AN ORDINANCE OF THE CITY OF FREEPORT, TEXAS, CONTAINING A PREAMBLE; AMENDING TITLE V, CHAPTER 51 OF THE CODE OF ORDINANCES OF THE CITY OF FREEPORT, TEXAS, BY ADDING A NEW SECTIONS 51.160 THROUGH 51.164 TO THE CODE OF ORDINANCES APPLICABLE TO FOOD SERVICE ESTABLISHMENTS AND FOOD PROCESSING ESTABLISHMENTS, DESIGNED TO LIMIT FATS, OILS AND GREASE FROM ENTERING THE SANITARY SEWER SYSTEM, PREVENT SEWER SYSTEM OVERFLOWS, ADDRESSING THE DISCHARGE OF FATS, OILS, AND GREASE INTO THE SANITARY SEWER SYSTEM AND A NEW SECTION 51.003 CONTAINING DEFINITIONS APPLICABLE TO NEW SECTION 51.160 THROUGH 51.164; PROVIDING THAT ANY PERSON VIOLATING SAID CODE, AS AMENDED BY THIS ORDINANCE, SHALL BE GUILTY OF A MISDEMEANOR AND ASSESSED A FINE IN ACCORDANCE WITH THE PROVISIONS OF SECTION 10.99 OF SAID CODE; PROVIDING THAT EACH DAY ANY SUCH VIOLATION CONTINUES AND EACH PART OF ANY DAY ANY SUCH VIOLATION OCCURS SHALL CONSTITUTE A SEPARATE OFFENSE; CONTAINING SAVINGS CLAUSES; CONTAINING A SEVERANCE CLAUSE; AND PROVIDING THAT THIS ORDINANCE SHALL TAKE EFFECT AND BE IN FORCE FROM AND AFTER ITS DESCRIPTIVE CAPTION HAS BEEN PUBLISHED TWICE IN THE BRAZOSPORT FACTS.

WHEREAS, the City of Freeport, Texas, ("the City") is a "Home Rule City" and a "Home Rule Municipality" lying and situated in Brazoria County, Texas, as described in and defined by Section 5, Article XI of the Constitution of Texas and Section 1.005 of the Local Government Code of Texas, respectively; and,

Whereas, sanitary sewer blockages and obstructions can be caused by the accumulation of fats, oils and grease that are discharged into the sanitary sewer system; and,

WHEREAS, regulations are needed that apply to all food service establishments (FSEs) and food processing establishments (FPEs) that are located within the corporate limits of the City, or that are within the extraterritorial jurisdiction of the City and to all FSEs and FPEs that receive sanitary sewer service from the City or that discharge any liquids or solids into the publicly owned treatment works (POTW); and,

WHEREAS, the City Council of the City has determined and do here now declare that the adoption of this ordinance is necessary to the health, safety and general welfare of the inhabitants of said City.

NOW, THEREFORE, BE IT ORDAINED BY THE CITY COUNCIL OF THE CITY OF FREEPORT, TEXAS:

First, the Code of Ordinance of the City is hereby amended by adding a new section, to be known as Section 51.003, which shall read as follows:

**Section 51.003 - Definitions Applicable to Section 51.160**

**Commercial establishment:** Any location where a person manufactures, packages, prepares, provides, serves, or makes available any meals, or food for sale, for monetary compensation, or for non-monetary consideration.

**Fats, oils, or grease:** Any animal, vegetable, or mineral fats, oils, or greases and any organic polar compounds derived from animal and/or plant sources that contain multiple carbon chain triglyceride molecules.

**FPE or FPEs:** A food processing establishment or establishments, which are any commercial establishments in which food for human consumption is manufactured or packaged.



FSE or FSEs: A food service establishment or establishments, which are any commercial establishments that prepare, provide, serve, or make available for human consumption meals, or any food.

Interceptor: A device for collecting, containing, or removing food wastes or fats, oils, or grease from a waste stream before entering the POTW.

Person: An individual, partnership, joint venture, firm, company, corporation, association, joint stock company, governmental entity, trust, estate, sole proprietorship, or legal entity of any kind or character.

POTW: The publicly owned treatment works that is comprised of the sanitary sewer system, including treatment plant and collection infrastructure, operated by SAWS.

Second, Section, the Code of Ordinances of the City is hereby amended by adding Section 51.160 which shall read as follow:

#### Section 51.160. Interceptors

(a) Pretreatment required. Waste pretreatment that complies with this section is required before an FSE or FPE may discharge fats, oils, or grease into the POTW.

(b) Interceptor required. Each FSE and FPE shall discharge all waste from sinks, dishwashers, drains, and any other fixtures or sources through which fats, oils, or grease may be discharged into the POTW into a properly maintained and functioning interceptor that complies with the requirements of Plumbing and Drainage Institute Standard no. PDI-G101, or as otherwise approved by the City with sample well after the grease interceptor.

(c) Existing facilities. Existing FSEs and FPEs that are not equipped with an interceptor that complies with the requirements of Plumbing and Drainage Institute Standard no. PDI-G101, or as otherwise approved by the City, shall install such an interceptor not later than one hundred and eighty (180) days after the effective date of this ordinance.

(d) New facilities. New FSEs and FPEs shall be equipped with an interceptor that complies with the requirements of Plumbing and Drainage Institute Standard no. PDI-G101, or as otherwise approved by the City, prior to commencement of any discharge into the POTW.

#### Section 51.160 Maintenance

(a) General requirements. Each interceptor shall be continuously maintained in effective operational condition by and at the expense of the FSE or FPE that is required by this Chapter to utilize or install the interceptor.

(b) Frequency. Each FSE and FPE that is required by this Chapter to utilize or install an interceptor shall evacuate accumulated solids, fats, oils, grease and all other material(s) from each interceptor at a frequency not less often than every ninety (90) days and within two (2) working days whenever twenty-five (25) percent or more of the wetted height of the interceptor, measured from the bottom of the device to the invert of the outlet pipe, contains floating materials, sediment, fats, oils, or grease.

(i) FSEs or FPEs that conduct operations for less than one hundred and twenty (120) days in a calendar year may submit a written request to the City to be permitted to evacuate interceptors as required by Sec. 34-527 (b) of this Chapter at a frequency less often than every ninety (90) days. The FSE or FPE submitting the request shall comply with Section 51.252(b) of this Chapter unless the City provides written approval of a different frequency for the evacuation of the interceptors that are the subject of the request. Any revised frequency approved by the City for the evacuation of an interceptor shall not affect the requirement that an FSE or FPE shall evacuate an interceptor within two (2) working days whenever twenty-five (25) percent or more of an interceptor contains materials as required by Section 51.252(b) of this Chapter.

(c) Interceptor pumping and evacuation.

(i) For each interceptor that has a capacity greater than one hundred (100) gallons, FSEs and FPEs shall use a liquid waste hauler that is permitted by the TCEQ to collect, transport and dispose of liquid waste to evacuate an interceptor. FSEs and FPEs shall cause the wastes in an interceptor to be completely evacuated by a waste hauler at the time of each interceptor evacuation that is required by this Chapter. Interceptor waste shall be disposed of only at a facility that is authorized and permitted by applicable law to receive such waste for disposal.

(ii) For each interceptor that has a capacity less than or equal to one hundred (100) gallons, FSEs and FPEs may use a liquid waste hauler that is permitted by the TCEQ to collect, transport and dispose of liquid waste pursuant to evacuate an interceptor. FSEs and FPEs shall cause the wastes in an interceptor to be completely evacuated at the time of each interceptor evacuation that is required by this Chapter. Interceptor waste shall be disposed of only at a facility that is authorized and permitted by applicable law to receive such waste for disposal.

(d) Interceptor inspection. Not less frequently than once per calendar year, each FSE and FPE shall cause a licensed plumber or other qualified professional approved by the City to inspect each interceptor. After evacuation of the interceptor, the licensed plumber or other qualified professional approved by the City shall make a visual observation of and shall photograph all inlet and outlet fittings, internal baffles, walls, floor and all other internal structures. Each FSE and FPE shall cause the licensed plumber or other qualified professional approved by the City conducting the inspection to provide a written report of the inspection to the FSE or FPE that includes the photographs that are required by this section and that provides the name, address and telephone number of the licensed plumber or other qualified professional approved by the City conducting the inspection, the date of the inspection, and a description of any defects observed during the inspection. All defects shall be corrected by each FSE or FPE within ninety (90) days of each inspection.

#### Section 51.161 Record keeping

(a) For each interceptor that has a capacity greater than one hundred (100) gallons, each FSE and FPE shall maintain all records that document each inspection, repair, cleaning, evacuation, service, or pumping of each interceptor as required in Section 51.252(b) of this Chapter.

(b) For each interceptor that has a capacity less than or equal to one hundred (100) gallons, each FSE and FPE shall maintain all records that document each inspection, repair, cleaning, evacuation, service, or pumping of each interceptor as required in Section 51.252(b) of this Chapter, if a liquid waste hauler that is permitted by the TCEQ to collect, transport and dispose of liquid waste is used to evacuate an interceptor. If a permitted liquid waste hauler is not used to evacuate an interceptor, then each FSE and FPE shall maintain a cleaning log that lists the location and type of each interceptor, the date and time of each interceptor evacuation, the quantity of material removed from the interceptor, the location where the material removed from the interceptor was disposed of, and the signature of the employee performing the evacuation of the interceptor.

(c) All records required by this Chapter shall be maintained by each FSE and FPE for a period of five (5) years after the date of the event that is the subject of the record. All such records shall be available for inspection on the premises of the FSE or FPE where the interceptor that is the subject of the record is located, unless a written request to store the records at a different location is submitted to the City and the City approves the request.

#### Section 51.162 Prohibitions

(a) Prohibited discharge to an interceptor. Discharge into an interceptor of sanitary waste, solvents, emulsifiers, enzymes, chemicals, products, or bacteria that digest, liquefy, dissolve, or emulsify fats, oils, or grease is prohibited.

(b) Removed interceptor waste. Grease, solids, liquids, or any other matter removed from an interceptor shall not be returned to any interceptor, or disposed of in any private sanitary sewer line, any portion of the POTW, or any location other than a facility that is authorized by law to receive such wastes.

(c) No bypass. No liquid or solid waste that contains fats, oils, or grease may be discharged directly into the POTW. All liquids and solids that contain fats, oils, or grease that may be discharged by a FSE or a FPE into the POTW must be discharged into an interceptor before any such discharges enter the POTW. Should an interceptor require repair, upon written request to and the receipt of written approval from the City a bypass of the interceptor shall be permitted for the duration of the repair, but in no event for more than eighteen (18) consecutive hours. Each FSE or FPE shall create a written record that describes the repairs made to the interceptor, the date and time of the commencement of any interceptor repairs and of any bypass during the repairs, and the date and time of the termination of the repairs and of the bypass.

#### Section 52.163 Right of Entry

Access to premises. Employees of the City, or its authorized agents shall have the authority to enter the property of a FSE or FPE to conduct inspections of all or any part of the premises, to inspect and copy documents that a FSE or FPE is required by this Chapter to generate or maintain, to make photographic documentation and to perform any other action, or to obtain any other information related to compliance with this Chapter. Each FSE and FPE shall allow access to its property and facilities for any of such purposes.

#### Section 52.164 Enforcement

(a) The failure to perform any action that is required by this Chapter or the performance of any action that is prohibited by this Chapter shall constitute a violation of this Chapter.

(b) System-wide enforcement. The FSEs and FPEs discharging in the area defined in Section 51.003 of this chapter are subject to the enforcement provisions of this Chapter. The City is authorized to take the following enforcement actions to achieve compliance with this ordinance and its purposes.

(i) Mandatory Interceptor Service. The City may issue a Notice of Violation requiring the FSE or FPE to conduct mandatory maintenance or repair of an interceptor within a prescribed period. The cost of the services is the direct responsibility of the FSE or FPE.

(ii) Mandatory Interceptor Service Schedule. The City may issue a Notice of Violation imposing a mandatory pumping and cleaning schedule to assure the proper maintenance of an interceptor. The cost of the services is the direct responsibility of the FSE or FPE. A Mandatory Interceptor Service Schedule may cover a time period of up to two (2) years.

(iii) Cost Recovery. The City may issue a Notice of Violation assessing the FSE or FPE the amount of expenditures made by the City to clean-up or prevent sewer blockages and overflows caused by the discharge from the noncompliant FSE or FPE.

(iv) Administrative Penalties. In accordance with Chapter 10.99 General Penalty, the City may issue a Notice of Violation assessing a penalty to the FSE or FPE for violation of provisions governing public health and sanitation, not to exceed \$2,000; the penalty for violations of other provisions of this Chapter shall be \$500. Each violation of this Chapter shall constitute a separate offense, and each day a violation continues shall be considered a new offense. A culpable mental state is not required to prove an offense under this Chapter.

(v) Cessation of Service. Upon issuance of a Notice of Violation the City may terminate water and/or sewer service to the FSE or FPE location where a noted violation occurred if the violation is not completely remedied within sixty (60) days after the date of the Notice of Violation.

(vi) Emergency Suspension of Service. The City may immediately suspend the discharge of an FSE or FPE after informal notice to the discharger, whenever such suspension is needed to stop an actual or threatened discharge, which reasonably appears to present or cause an imminent or substantial endangerment to the health or welfare of persons, or to the POTW.

(c) Authorization to enforce. The City is authorized to take any action authorized by this Chapter and to pursue enforcement against any person violating this Chapter. The grant of authority set out in this section does not in any way diminish the authority of the City's legal counsel to take any action necessary to enforce the terms of this Chapter, to prosecute violations of this Chapter, and to defend the legality of this Chapter, if challenged.

Third, any person violating the Code of Ordinances of the City of Freeport, Texas, as amended by this ordinance, shall be guilty of a misdemeanor and upon conviction therefor assessed a fine as prescribed in Section 10.99 of said Code; and each day such violation continues and each part of any day any such violation occurs shall constitute a separate offense.

Fourth, nothing contained in this ordinance shall cause any rights heretofore vested to be altered, affected or impaired in any way and all such rights may be hereafter enforced as if this ordinance had not been adopted.

Fifth, this ordinance is cumulative of and in addition to all other ordinances of the City on the same subject and all such ordinances are hereby expressly saved from repeal. Provided however, where this ordinance and another ordinance conflict or overlap, whichever imposes the more stringent regulations or penalties, as the case may be, shall prevail.

Sixth, no offense committed and no fine, forfeiture or penalty incurred prior to the effective date of this ordinance is to be affected by the adoption of this ordinance but the punishment for any offense committed and the recovery of any fines or forfeitures incurred prior to such date shall take place as if this ordinance had not been adopted.

Seventh, in the event any section or provision of this ordinance is found to be unconstitutional, void or inoperative by the final judgment of a court of competent jurisdiction, such defective provision, if any, is hereby declared to be severable from the remaining sections and provisions of this ordinance and such remaining sections and provisions shall remain in full force and effect.

Eighth, this ordinance shall take effect and be in force from and after the descriptive caption of this ordinance has been published twice in the Brazosport Facts, the official newspaper of the City.

READ, PASSED AND ADOPTED this \_\_\_\_\_ day of \_\_\_\_\_, 2016.

\_\_\_\_\_  
Norma Moreno Garcia, Mayor,  
City of Freeport, Texas

ATTEST:

\_\_\_\_\_  
Delia Munoz, City Secretary,  
City of Freeport, Texas

APPROVED AS TO FORM ONLY:

\_\_\_\_\_  
Wallace Shaw, City Attorney,  
City of Freeport, Texas

C:\Freeport.Ord\FOG Ordinance

**STATE OF TEXAS** §

**COUNTY OF BRAZORIA** §

**AN ORDINANCE PROVIDING FOR COLLECTION OF SCOFFLAW FEES  
PURSUANT TO TEXAS TRANSPORTATION CODE SECTION 702**

WHEREAS, It has been and remains the longstanding policy of the CITY OF FREEPORT that the collection of delinquent fees and fines owed to the City is a priority and to encourage violators to pay their delinquent fees and fines, and

WHEREAS, the City has an interest in collecting the delinquent fees and/or fines owed to the City pursuant to Section 702 of the Texas Transportation Code; and

WHEREAS, the CITY OF FREEPORT is authorized by the provisions of Section 702.003(e-1) of the Texas Transportation Code to impose an additional Twenty Dollar (\$20.00) fee when BRAZORIA COUNTY places a registration hold on vehicles owned by individuals that have delinquent fees and/or fines owed to the CITY OF FREEPORT; and

WHEREAS, the provisions of Section 702 of the Texas Transportation Code have been complied with to add an additional Twenty Dollar (\$20.00) fee when BRAZORIA COUNTY places a registration hold on vehicles owned by individuals that have delinquent fees and/or fines owed to the CITY OF FREEPORT; and

WHEREAS, Perdue Brandon Fielder Collins & Mott, LLP is a Texas law firm that has developed and maintains the "Automated Assistant Program", which allows BRAZORIA COUNTY to access the law firm's database to identify if a person is a scofflaw in the CITY OF FREEPORT in cases referred to the law firm.

NOW THEREFORE BE IT RESOLVED by the CITY OF FREEPORT CITY COUNCIL that it imposes an additional Twenty Dollar (\$20.00) ) fee when BRAZORIA COUNTY places a registration hold on vehicles owned by individuals that owe the CITY OF FREEPORT delinquent fees and/or fines as authorized by Texas Transportation Code Section 702.

Passed and approved this the \_\_\_\_\_ day of \_\_\_\_\_, 2016.

\_\_\_\_\_  
CITY OF FREEPORT, NORMA M. GARCIA, MAYOR

Attested:

\_\_\_\_\_

STATE OF TEXAS                   §  
  §                   **INTERLOCAL AGREEMENT - SCOFFLAW**  
COUNTY OF BRAZORIA           §

This Agreement made and entered into this \_\_\_\_\_ day of January, 2016, by and between the County of Brazoria, hereinafter referred to as "County", with the agreement, consent, and participation of the *Brazoria County Tax Assessor-Collector*, hereinafter referred to as the "County or County Tax Assessor-Collector", and the **City of Freeport**, a Texas home-rule municipal corporation hereinafter referred to as "City", under the authority and in accordance with the Interlocal Cooperation Act, as set out in Chapter 791, Texas Government Code, and as authorized by Texas Transportation Code, Chapter 702.

WITNESSETH:

**WHEREAS**, Texas Government Code, Chapter 791, authorizes local governments of the state to enter into contracts for governmental functions and services to increase their efficiency and effectiveness; and

**WHEREAS**, the County and the City are local governments as defined in Texas Government Code, Section 791.003(4), have the authority to enter into this agreement, and have each entered into this agreement by the action of its governing body in the appropriate manner prescribed by law; and

**WHEREAS**, Transportation Code §702.003 allows a county tax assessor-collector, upon receipt of information from a municipality to assist a municipality in the enforcement of outstanding warrants of arrest for the failure to appear or failure to pay a fine on a complaint that involves the violation of a traffic offenses by refusing to register or re-register a motor vehicle; and

**WHEREAS**, Transportation Code §702.003 further allows a municipality to contract with the County to provide the necessary information to a county for the above determination by the county tax assessor-collector to deny motor vehicle registration or re-registration to certain persons; and

**WHEREAS**, such a consolidated effort in the effectuation of Texas Transportation Code, Chapter 702, are in each party's best interest and that of the public and that this agreement will increase the effective and efficient functioning of each party; and

**WHEREAS**, both the City and County represent to one another that each respective party has the authority to enter into this agreement and perform the obligations and duties stated herein; and

**WHEREAS**, the County and the City agree that this contract supersedes all prior oral and written agreements between the parties regarding this program and the refusal of motor vehicle registration.

**NOW THEREFORE**, this contract is made and entered into by County and City in consideration of the aforementioned recitals and for the mutual consideration stated herein (“the Agreement”):

**PURPOSE OF AGREEMENT.**

The purpose of the Agreement is to state the terms and conditions under which the County Tax Assessor-Collector will refuse to register or re-register certain motor vehicles when the County Tax Assessor-Collector receives information from City that the owner of the vehicle has an outstanding warrant for failure to appear or failure to pay a fine on a complaint that involves a violation of a traffic law, as defined by section 702.001 of the Transportation Code, as authorized and specifically set out under section 702.003 of the Texas Transportation Code.

**1. DUTIES OF THE CITY.**

- 2.1** The City shall contract with the County to provide information to enable the County Tax Assessor-Collector to identify vehicle owners which have an outstanding warrant from the City for failure to appear or failure to pay a fine on a complaint that involves a violation of a traffic law pursuant to the Texas Transportation Code that is past due. The City will comply with all provisions of the Texas Transportation Code as well as all other applicable laws of the State of Texas while in the performance of its duties and obligations under the Agreement.
- 2.2** The City shall notify the County Tax Assessor-Collector within the next business day when a traffic law matter is cleared regarding a person:
  - 2.2.1** Against whom a judgment has been entered and who has paid the municipal court the full amount of the fine or civil penalty and all court costs; or
  - 2.2.2** Who has perfected an appeal of the case for which the arrest warrant was issued; or
  - 2.2.3** Whose charge for which the arrest warrant was issued has been dismissed; or
  - 2.2.4** Whose charge for which the arrest warrant was issued has been cleared through judicial action or clerical correction.
- 2.3** The City shall impose an additional \$20 fee to a person who has an outstanding warrant for failure to appear or failure to pay a fine on a complaint that involves



the violation of a traffic law to be collected by the County as prescribed in Section 3.3 of this contract. The additional fee may be used only to reimburse the County Tax Assessor-Collector for its expenses for providing services under this contract, as set out in Section 702.003 of the Texas Transportation Code. In the event that the individual is acquitted of the underlying charge, then no payment will be imposed.

- 2.4** The City shall provide to the County Tax Assessor Collector's office periodic updates not to exceed two weeks, with the information of all outstanding records with warrant status for failure to appear in court as prescribed in Subsection (a) of Section 702.003 of the Texas Transportation Code. The City shall provide all data records in an electronic format acceptable with Tax Office Database for the purposes of adding, updating, or deleting records.
- 2.5** The City shall provide a telephone number or the location of an office where individual inquiries and complaints can be made regarding denial of registration by the County Tax Assessor-Collector due to outstanding City warrants and/or civil penalties that are past due, as well as to explain the procedures necessary to resolve the issues so as to obtain valid registration.
- 2.6** The City shall identify, by name, address, and telephone number, an individual or individuals who shall have authority on behalf of the City to coordinate, direct and supervise the Agreement.
- 2.7** Pursuant to Texas Transportation Code Section 702.004, the City shall insure that each city peace officer shall issue a written warning to each person to whom the officer issues a citation for a violation of a traffic law in the municipality that states that if the person fails to appear in court as provided by law for the prosecution of the offense or fails to pay a fine for the violation, the person might not be permitted to register or re-register a motor vehicle in this state. The warning may be printed on the citation.
- 2.8** The City shall immediately recall all warrants for each individual who pays his/her fines and all court costs.
- 2.9** The City shall upon clearance of citation/warrant, sign and seal release forms issued by county tax office personnel to an individual who is denied vehicle registration. City signature and seal serves as authorization and notice from City for the Tax Office to issue motor vehicle registration renewal and clearance from Tax Office Database.
- 2.10** The City has the sole discretion to provide the County with an outstanding violation record to prohibit motor vehicle registration. However, the City shall only include those outstanding violation records that involve a violation of a "traffic law", as defined by section 702.001 of the Texas Transportation Code.

- 2.11** If deemed necessary by either party, the City shall allow Tax Assessor Collector's Office to contract directly with the City's current collections database vendor, for the sole purpose of obtaining necessary reports in required electronic format and or language. Such additional cost for services rendered by collections database vendor, shall be paid at Tax Assessor-Collector's Office expense.

## **2. DUTIES OF THE COUNTY**

- 3.1** The County Tax Assessor-Collector, and his/her subcontractor/agent, shall:
- 3.1.1** Create or maintain information system database that accurately stores and accesses record entries from government entities. Maintain records after compliance for five years and indefinitely on those who do not comply. Data collected from any governmental entity shall be considered confidential and such data will be used only for the purpose expressed in this contract.
  - 3.1.2** Refuse to register or re-register all motor vehicles whose owner(s) has/have outstanding City warrants for traffic violations.
  - 3.1.3** Issue corresponding Release Forms to individuals who are denied vehicle registration due to outstanding violations/warrants with the City.
  - 3.1.4** Distribute to motor vehicle owners that have been denied registration, instruction sheets that will explain the steps necessary to resolve their outstanding traffic violation to obtain vehicle registration, and properly give directions to corresponding City offices where necessary issues may be resolved. Such instructions sheets will contain the case number and corresponding municipal entities where outstanding fines are owed.
  - 3.1.5** Distribute an instruction sheet with a telephone number and office address to individuals who want to complain about registration denial if said instructions and address are furnished by the City.
- 3.2** The County Tax Assessor-Collector, and his/her subcontractor/agent, shall register or re-register a motor vehicle upon receipt of notice from the City that the motor vehicle owner's traffic law matter is cleared pursuant to Sections 2.2 and 2.10 above.
- 3.3** The County Tax Assessor-Collector, and his/her subcontractor/agent upon receipt of properly signed and sealed Release Form, shall collect the additional fee of \$20 imposed by the City from an individual attempting to renew his/her registration pursuant to Section 2.4 above.

- 3.4 The County Tax Assessor-Collector shall at any time have the sole authority and prerogative to register or re-register a motor vehicle.

3. **TERM AND TERMINATION.**

This Interlocal Agreement shall be effective upon its date of execution by the last party to execute the Agreement and shall terminate on the 31st day of December 2016. The agreement shall automatically renew for successive one-year terms. This agreement may be terminated at any time by either party upon sixty (60) days written notice to the other parties.

4. **NOTICE.**

Official notice shall be by written notice and delivery to all of the parties to this Agreement. Delivery shall be by fax or deposit in the United States Postal Service, first class, return receipt requested to:

**TO THE COUNTY TAX ASSESSOR-COLLECTOR:**

Ro'Vin Garrett  
111 E. Locust  
Freeport, TX 77515  
(979) 864-1320

**TO THE CITY:**

City of Freeport  
Attention: City Manager  
200 W. 2<sup>nd</sup> Street  
Freeport, Texas 77541  
979-233-3526

5. **INDEMNIFICATION.**

County and City agree that both County and City shall each be responsible for their own negligent acts or omissions or other tortuous conduct in the course of performance of this Agreement, without waiving any sovereign or governmental immunity available to either County or City under Texas law and without waiving any available defenses under Texas law. Nothing in this paragraph shall be construed to create or grant any rights, contractual or otherwise, in or to any third persons or entities.

**6. FISCAL FUNDING.**

Notwithstanding anything to the contrary herein, this Agreement is expressly contingent upon the availability of county funding for each item and obligation contained herein. City shall have no right of action against the County as regards this Agreement, specifically including any funding by County of this Agreement in the event that the County is unable to fulfill its obligations under this Agreement as a result of the lack of sufficient funding for any item or obligation from any source utilized to fund this Agreement or failure of any funding party to budget or authorize funding for this during the current or future fiscal years. In the event of insufficient funding, or if funds become unavailable in whole or part, the County, at its sole discretion, may provide funds from a separate source or terminate this Agreement. In the event that payments or expenditures are made, they shall be made from current funds as required by Chapter 791, Texas Government Code.

**7. VENUE.**

Venue to enforce this Agreement shall lie exclusively in Brazoria County, Texas.

**8. NONDISCRIMINATION.**

Parties to this Agreement shall not discriminate on the basis of race, color, national origin, sex, religion, age, disability, sexual orientation.

**9. ENTIRE AGREEMENT.**

This Agreement constitutes the entire agreement between the parties hereto and may not be modified except by an instrument in writing executed by the parties hereto as herein provided.

**10. SEVERABILITY.**

If any provision of this Agreement shall be held invalid, void or unenforceable, the remaining provisions hereof shall not be affected or impaired, and such remaining provisions shall remain in full force and effect.

**11. DEFAULT/WAIVER/MITIGATION.**

It is not a waiver of default if the non-defaulting party fails to declare immediately a default or delays in taking any action. Pursuit of any remedies set forth in this Agreement does not preclude pursuit of other remedies in this Agreement or provided by law.

**12. FEDERAL OR STATE OF TEXAS FUNDING.**

In the event that any work or part thereof is funded by State of Texas or U. S. Government funding and any statute, rule, regulation, grant, contract provision or other State of Texas or U. S. Government law, rule, regulation or other provision imposes additional or greater

requirement(s) than stated herein, City agrees to timely comply therewith without additional cost or expense to County.

**13. HEADINGS.**

The titles which are used following the number of each paragraph are only for convenience in locating various provisions of this AGREEMENT and shall not be deemed to affect the interpretation or construction of such provision.

**14. NUMBER AND GENDER.**

Words of any gender used in this Agreement shall be held and construed to include any other gender; and words in the singular shall include the plural and vice versa, unless the text clearly requires otherwise.

**15. COUNTERPARTS.**

This Agreement may be executed in multiple counterparts, each of which shall be deemed an original, but all of which shall constitute one and the same instrument.

**16. REMEDIES.**

This Agreement shall not be considered as specifying the exclusive remedy for any agreement default, but all remedies existing at law and in equity may be availed of by either party to this Agreement and shall be cumulative.

**17. APPROVAL**

This agreement is expressly subject to and contingent upon formal approval by the Brazoria County Commissioners Court and by resolution of the respective City Council.

**IN WITNESS WHEREOF** this Agreement has been executed on behalf of the County of Brazoria and the City of Freeport in the manner provided by law.

**BRAZORIA COUNTY, TEXAS**

**THE CITY OF FREEPORT**

By: \_\_\_\_\_

By: \_\_\_\_\_

L.M. "Matt" Sebesta, Jr.  
County Judge

Norma M. Garcia, Mayor

Attested By:

By: \_\_\_\_\_

\_\_\_\_\_

Ro'Vin Garrett  
Tax Assessor-Collector

City Secretary

# Bid Tabulation

Mystery Harbor and Front Street Bid Opening – Feb. 26, 2016 @ 2.00 p.m.

1. AAA Asphalt Paving, Inc. 713-896-7373 [www.aaa.asphalt.com](http://www.aaa.asphalt.com)  
10526 Tanner Rd.  
Houston, Texas 77041  
Present: Eddie Merremheimpel-----\$262, 817.00
  
2. Enterprise Commercial Paving, Inc. 713-432-7500 [www.????????????](http://www.????????????)  
10 Stokes St.  
Houston, Texas 77022-----\$395, 475.00  
Present: n/a
  
3. A-I Construction Services 713-975-1819 [WWW.A1SP.COM](http://WWW.A1SP.COM)  
6108 Brittmoore  
Houston, Texas 77041-----\$216,962.00  
Present: Rafael Santiago

Witness:

Delia Munoz

LeAnn Strahan

Tiffany Taylor

Feb. 26, 2016 @ 2:00 p.m.

Publications Dates: Feb, 5 & Feb. 12, 2016.

THE FREEPORT HISTORICAL MUSEUM FOUNDATION, INC.

BYLAWS

ARTICLE 1

OFFICES

The principal office of The Freeport Historical Museum Foundation, Inc. (the "Corporation") shall be at the Freeport Historical Museum located at 311 East Park Avenue Freeport, Texas 77541 ("the Museum").

ARTICLE 2

EXECUTIVE DIRECTOR

Section 2.01 The affairs of the Corporation shall be managed by an Executive Director under the supervision of a Board of Directors. The position of Executive Director shall be filled by the City Manager or other person exercising the duties of the City Manager in accordance with the provisions of the Home Rule Charter of the City. The City Manager shall be automatically removed as Executive Director upon the end of his employment as City Manager or, in case of a person exercising the duties of the City Manager, upon the appointment of a new City Manager.

Section 2.02 The Board of Directors of the Corporation shall consist of the Executive Director and not more than eight (8) additional board members who are initially appointed by the Executive Director. Vacancies beyond the initial appointment must be recommended and approved by the Board of Directors of the Corporation.

Section 2.03 The property and business of the Corporation shall be managed by the Executive Director, who may exercise all powers of the Corporation and do all lawful acts subject to the approval of the Board of Directors.

Section 2.04 The annual meeting of the Corporation shall be held at the Freeport Historical Museum at minimum once a quarter during a calendar year. The City Council, at its discretion, may require the Executive Director and all officers of the Corporation to attend any scheduled City Council meeting by placing such meeting as an agenda item in the City Council meeting agenda. Such meeting may occur at one of the regular monthly meetings of the City Council or any special meeting of the City Council called in accordance with the Home Rule Charter of the City.



## COMMITTEES

Section 2.11 The Board of Directors may establish one or more committees. Such committee or committees shall have such name or names, and such powers, as may be determined from time to time by the Board of Directors.

Section 2.12 The committees shall keep regular minutes of their proceedings and report the same to the Executive Director, when required and file said minutes with the Secretary of the Corporation.

Section 2.13 The City Manager, or person performing the duties of City Manager, as Executive Director shall receive no compensation for services other than his regular salary as City Manager, but shall be reimbursed for all reasonable expenses incurred in performing his duties as Executive Director. The Board of Directors may authorize payment of another individuals or other employees of the corporation. All wages or compensation for Corporation employees, must be specifically itemized in the annual or amended budget of the Corporation, approved by a majority of the Board of Directors.

## ARTICLE 3

### OFFICERS

Section 3.01 The officers of the Corporation shall be chosen by the Board of Directors. The Board of Directors shall choose a President, Secretary and a Treasurer. Any two or more offices may be held by the same person, except the office of President and Secretary.

Section 3.02 The Board of Directors shall choose such officers at its first meeting and at each annual meeting thereafter in even numbered years.

Section 3.03 The officers of the Corporation chosen pursuant to Section 4.02 shall serve until the second annual meeting of the Corporation thereafter or until their successors are chosen and qualify in their stead.

Section 3.04 The Board of Directors may appoint such other officers and agents as it shall deem necessary, who shall hold their offices for such terms and shall exercise such powers and perform such duties as shall be determined from time to time by the Board of Directors.

Section 3.05 The Executive Director or any officer elected or appointed by the Board of Directors may be removed at any time by the affirmative vote of a majority of the Board of Directors. If the office of any officer becomes vacant for any reason, the vacancy shall be filled by the Board of Directors.

#### President

Section 3.06 The President shall preside at all meetings of the Corporation.

Section 3.07 The President shall be ex-officio a member of all standing committees, shall have general supervision of the management of the business of the Corporation, and shall see that all orders and resolutions of the Board of Directors are carried into effect.

Section 3.08 The President shall execute contracts requiring a seal, under the seal of the Corporation, except where required or permitted by law to be otherwise signed and executed except where the signing and execution thereof shall be expressly delegated by the Board of Directors to some other officer or agent of the Corporation.

#### Secretary

Section 3.10 The Secretary shall attend all corporate meetings and record all votes and the minutes of all proceedings in a book to be kept for that purpose and shall perform like duties for the standing committees when required. He/she shall give, or cause to be given, notice of all special meetings of the Corporation and shall perform such other duties as may be prescribed by the Executive Director. He/she shall keep on a safe custody the seal of the Corporation and, when authorized by the Board of Directors, affix the same to any instrument requiring it, and when so affixed, it shall be attested by his/her signature. And when the corporate seal is required as to instruments executed in the course of ordinary business he/she shall attest to the signature of the President and shall affix the seal thereto.

#### Treasurer

Section 3.11 To the extent not otherwise provided by the Board of Directors by rules or regulations, in resolutions relating to issuance of bonds, or in any financing documents relating to such issuance, the Treasurer shall have the custody of the corporate funds and securities and shall keep full and accurate accounts of receipts and disbursements in books belonging to the Corporation and shall deposit all monies and other valuable effects in the name and to the credit of the Corporation in a depository controlled by the Executive Director. He/she shall disburse the funds of the Corporation as may be ordered by the Executive Director, taking proper vouchers for such disbursements, and shall render to the President at the regular meeting of the Board of

Directos, or whenever they may require it, an account of all his/her transactions as Treasurer and of the financial condition of the Corporation.

Section 3.12 The provisions of the Texas Uniform Facsimile Signature of Public Officials Act shall be applicable to the Corporation, which is a duly constituted instrumentality of the City of Freeport, Texas, a political subdivision of the State of Texas.

#### ARTICLE 4

##### FISCAL PROVISIONS

Section 4.01 No dividends shall ever be paid by the Corporation and no part of its net earnings remaining after payment of its expenses shall be distributed to or insure to the benefit of its directors or officers or any individual, firm, corporation, or association, except that in the event the Board of Directors shall determine that sufficient provision has been made for the full payment of the expenses, bonds, and other obligations of the Corporation. No part of the Corporation's activities shall be carrying on propaganda, or otherwise attempting to influence legislation, and it shall not participate in or intervene in (including the publishing or distributing of statements), any political campaign on behalf of or in opposition to any candidate for public office.

Section 4.02 The Corporation shall apply for and maintain its status as a non-profit corporation under 501(c)(3) of the U.S. tax code and regulations of the U.S. Internal Revenue Service.

Section 4.03 The Executive Director shall have prepared for each annual meeting a full and clear statement of the business and conditions of the Corporation.

##### Checks

Section 4.04 All checks or demands for money and notes of the Corporation shall be signed by such office or officers or such other person or persons as the Board of Directors may from time to time designate, provided that in no event shall a check be negotiable until it is signed by at least one officer.

##### Fiscal Year

Section 4.05 The Fiscal year shall be determined by the resolution of the Board of Directors to correlate with the budget process of the City.

Approved Budget

Section 4.06 The director and Treasurer shall prepare an annual budget itemizing all incomes and disbursements for each fiscal year. The annual budget must be approved by a majority of the Board of Directors. The Corporation may not make any expenditures not authorized by the Annual or Amended Budget as approved by the Board of Directors.

ARTICLE 5

SEAL

If the Board of Directors approves a corporate seal (but no seal is required), the corporation seal shall be circular and shall have inscribed in the outer circle "The City of Freeport Historical Museum Foundation, Inc." and shall have inscribed in the inner circle the letters "T-E-X-A-S" contained in the notice of such meeting, by the affirmative vote of a majority of the Board of Directors at such meeting and present thereat.

ADOPTED AND APPROVED this \_\_\_\_\_, 2014.

\_\_\_\_\_  
President

ATTEST: \_\_\_\_\_

Secretary

**PROPERTY MANAGEMENT  
MEMO**

February 29, 2015

To : Jeff Pynes

Subject : Release of City Interest in Trust Property

Reference : Lot 15, 18-19, Block 809, Velasco Townsite

The Brazoria County Resale Committee has received an offer of \$350.00 for the above referenced Trust Property, and have requested whether or not the City would release their interest in same. The City would receive \$87.52 as their portion of the sale.

The following documentation is attached regarding this request:

- a. plat showing location of property
- b. trust property sale data sheet
- c. Resale Committee Bid Analysis Sheet.

The properties are 25 x 125 foot lots on North Avenue P (not open).

Please place the request on the next regular Council agenda for consideration.



Nat  
Property

attach

OK for agenda

/s

---

City Manager

B 8/20/15  
L 15/18-15

CONNECTEXPLORER



map: Auto 02/02/2015 Select Date image 1 of 10

811-477-5000

# TRUST PROPERTY OFFER

Account: 8110-4177-000

Street Address: 1805, 1811-1813 North Avenue P

Road access: North Ave P (not open, not improved)

Lot: 15, 18-19

Block: 809

Size: 25 x 125 foot, each

Offer by: Lamar Jordan	-	<b>\$350.00</b>
Appraisal District Value	-	700.00
Judgment & court cost	-	12.03
Net to distribute	-	337.97
<b>Amount to Freeport</b>	-	<b>\$ 87.52</b>

## **NOTE:**

Taxes per year = \$21.00 +/-

Pleasure of Council:  Approved for sale

Denied

Move \_\_\_\_\_ 2nd \_\_\_\_\_ Vote \_\_\_\_\_

**BID ANALYSIS**

<b>Cause Number:</b>	66625	<b>Account Number:</b>	8110-4177-000
<b>Offer Amount:</b>	\$350.00	<b>Value \$:</b>	\$700.00
<b>Person Offering:</b>	LAMAR JORDAN	<b>Adjudged Value\$:</b>	\$700.00

**Judgement Information**

Taxing Entity	Tax Years	Amount Due
BC	2002-2011	\$43.29
Brazosport ISD	2002-2011	\$135.72
BRHND	2002-2011	\$6.04
Brazosport College	2002-2011	\$15.53
Velasco Drainage	2002-2011	\$8.52
City of Freeport	2002-2011	\$73.07
<b>Total</b>		<b>\$282.17</b>

**Costs**

Court Costs		Sheriff Fees	\$12.03
Publication Fees		Research Fees	
Ad Litem		Recording fee's	
	Liens		
Cost of Deed		Deed file date	
<b>Total</b>			<b>\$12.03</b>

**Post Judgement Information**

Taxing Entity	Tax Year's	
BC	2012-2013	\$9.77
Brazosport ISD	2012-2013	\$25.15
BRHND	2012-2013	\$0.97
Brazosport College	2012-2013	\$5.25
Velasco Drainage	2012-2013	\$1.94
City of Freeport	2012-2013	\$13.81
<b>Post Judgment Total</b>		<b>\$56.89</b>

**Proposed Distribution**

<b>Offer Amount</b>	\$350.00	<b>Costs</b>	\$12.03
<b>Net to Distribute \$</b>			\$337.97

BC	15.34%	\$51.85
Brazosport ISD	48.10%	\$162.56
BRHND	2.14%	\$7.23
Brazosport College	5.50%	\$18.60
Velasco Drainage	3.02%	\$10.20
City of Freeport	25.90%	\$87.52

**RECEIVED**  
**FEB 29 2016**  
**PROPERTY MGMT**



**PROPERTY MANAGEMENT**

**MEMO**

February 29, 2015

To : Jeff Pynes

Subject : Release of City Interest in Trust Property

Reference : Lot 24, Block 715, Velasco Townsite  
1223 North Avenue M

The Brazoria County Resale Committee has received an offer of **\$250.00** for the above referenced Trust Property, and have requested whether or not the City would release their interest in same. The City would received **\$46.91** as their portion of the sale.

The following documentation is attached regarding this request:

- a. plat showing location of property,
- b. trust property sale data sheet,
- c. Resale Committee Bid Analysis sheet.

The property is a 27 x 125 foot corner lot on North Avenue M (paved) and Sweeny Street (un-opened). The adjoining property to the east is improved.

Please place the request on the next regular Council agenda for consideration.



Nat  
Property

attach

OK for agenda

---

City Manager

/s

## TRUST PROPERTY OFFER

Account: 8110-3076-000

Street Address: 1223 N Ave M, Velasco

Road access: North Ave M - paved road

Adjacent to Sweeny street ROW - un-improved

Lot: 24

Block: 715

Size: 27 x 125 foot

Offer by: Roberto Ayala - **\$250.00**

Appraisal District Value - 250.00 - see note

Judgment & court cost - 75.43

Net to distribute - 174.57

**Amount to Freeport - \$ 46.91**

**NOTE:** The CAD value is apparently in error. All other un-improved properties in this block are valued at \$2,340.00 and are retailing around \$5,000.00 per lot. The property would be of more value to the City for exchange or mitigation.

Taxes per year = \$65.00 +/-

Pleasure of Council:  Approved for sale

Denied

Move \_\_\_\_\_ 2nd \_\_\_\_\_ Vote \_\_\_\_\_

Trust Property Offer

CONNECT EXPLORER



map: Auto 02/02/2015 Select Date image 1 of 15

**BID ANALYSIS**

<b>Cause Number:</b>	66625	<b>Account Number:</b>	8110-3076-000
<b>Offer Amount:</b>	\$250.00	<b>Value \$:</b>	\$250.00
<b>Person Offering:</b>	<b>ROBERTO AYALA</b>	<b>Adjudged Value\$:</b>	\$250.00

**Judgement Information**

Taxing Entity	Tax Years	Amount Due
BC	1991-2011	\$217.04
BCED	1991-2011	\$0.00
Brazosport ISD	1991-2011	\$753.77
BRHND	1991-2011	\$37.21
Brazosport College	1991-2011	\$63.51
Velasco Drainage	1991-2011	\$47.20
Road Dist 34	1991-2011	\$0.00
City of Freeport	1991-2011	\$411.14
<b>Total</b>		<b>\$1,529.87</b>

**Costs**

Court Costs		Sheriff Fees	\$75.43
Publication Fees		Research Fees	
Ad Litem		Recording fee's	
	Liens		
Cost of Deed		Deed file date	
<b>Total</b>			<b>\$75.43</b>

**Post Judgement Information**

Taxing Entity	Tax Year's	Amount Due
BC	2012-2013	\$3.48
BCED	2012-2013	\$0.00
Brazosport ISD	2012-2013	\$8.97
BRHND	2012-2013	\$0.35
Brazosport College	2012-2013	\$1.87
Velasco Drainage	2012-2013	\$0.69
Road Dist 34	2012-2013	\$0.00
City of Freeport	2012-2013	\$4.92
<b>Post Judgment Total</b>		<b>\$20.28</b>

**Proposed Distribution**

<b>Offer Amount</b>	\$250.00	<b>Costs</b>	\$75.43
<b>Net to Distribute \$</b>			\$174.57

BC	14.19%	\$24.77
BCED	0.00%	\$0.00
Brazosport ISD	49.27%	\$86.01
BRHND	2.43%	\$4.25
Brazosport College	4.15%	\$7.25
Velasco Drainage	3.09%	\$5.39
Road Dist 34	0.00%	\$0.00
City of Freeport	26.87%	\$46.91

**RECEIVED**  
**FEB 29 2016**  
**PROPERTY MGMT**  
 2/23/2016

**PROPERTY MANAGEMENT**  
**MEMO**

February 29, 2015

To : Jeff Pynes

Subject : Release of City Interest in Trust Property

Reference : Lot 9-10, 12 Block 36, Velasco Townsite  
618-620, 624 S Gulf Blvd (Old Surfside Road)

The Brazoria County Resale Committee has received an offer of **\$150.00** for the above referenced Trust Property, and have requested whether or not the City would release their interest in same. The City would received **\$42.29** as their portion of the sale.

The following documentation is attached regarding this request:

- a. plat showing location of property,
- b. trust property sale data sheet,
- c. Resale Committee Bid Analysis sheet.

The properties are portions of 25 x 125 foot lots on South Gulf Blvd (old Surfside Road)

Please place the request on the next regular Council agenda for consideration.



Nat  
Property

attach

OK for agenda

---

City Manager

/s



B34  
L 9, 10, 12

CONNECTEXPLORER™



map: Auto 02/02/2015 Select Date image 1 of 15

5110-0900-000

2/20/16

# TRUST PROPERTY OFFER

Account: 8110-0394-000

Street Address:

Road access: South Gulf Blvd (old Surfside Road)

Lot: 9-10, 12

Block: 715

Size: portion two 25 x 125 foot lots and one 27 x 125 foot lot

Offer by: Roberto Rivera	-	\$	<b>150.00</b>
Appraisal District Value	-		4,220.00
Judgment & court cost	-		0.00
Net to distribute	-		150.00
<b>Amount to Freeport</b>	-	<b>\$</b>	<b>42.29</b>

## **NOTE:**

Taxes per year = \$21.00 +/-

Pleasure of Council:     Approved for sale  
                                   Denied

Move \_\_\_\_\_ 2nd \_\_\_\_\_ Vote \_\_\_\_\_

Trust Property Offer

**BID ANALYSIS**

<b>Cause Number:</b>	19020*T02	<b>Account Number:</b>	8110-0394-000
<b>Offer Amount:</b>	\$150.00	<b>Value \$:</b>	\$4,220.00
<b>Person Offering:</b>	<b>ROBERTO RIVERA</b>	<b>Adjudged Value\$:</b>	\$150.00

**Judgement Information**

Taxing Entity	Tax Years	Amount Due
BC	1991-2001	\$23.98
BCED	1991-2001	\$0.00
Brazosport ISD	1991-2001	\$88.87
BRHND	1991-2001	\$5.09
Brazosport College	1991-2001	\$4.98
Velasco Drainage	1991-2001	\$5.46
City of Freeport	1991-2001	\$50.40
<b>Total</b>		<b>\$178.78</b>

**Costs**

Court Costs		Sheriff Fees	
Publication Fees		Research Fees	
Ad Litem		Recording fee's	
	Liens		
Cost of Deed		Deed file date	
<b>Total</b>			<b>\$0.00</b>

**Post Judgement Information**

Taxing Entity	Tax Year's	
BC	2002	\$2.33
BCED	2002	\$0.00
Brazosport ISD	2002	\$7.89
BRHND	2002	\$0.40
Brazosport College	2002	\$0.46
Velasco Drainage	2002	\$0.40
City of Freeport	2002	\$4.43
<b>Post Judgment Total</b>		<b>\$15.91</b>

**Proposed Distribution**

<b>Offer Amount</b>	\$150.00	<b>Costs</b>	\$0.00
<b>Net to Distribute \$</b>			\$150.00

BC	13.41%	\$20.12
BCED	0.00%	\$0.00
Brazosport ISD	49.71%	\$74.56
BRHND	2.85%	\$4.27
Brazosport College	2.79%	\$4.18
Velasco Drainage	3.05%	\$4.58
City of Freeport	28.19%	\$42.29

**RECEIVED**  
**FEB 29 2016**  
**PROPERTY MGMT**





## PRICE QUOTATION

### Freeport Police Department

Project Name: Freeport Police Department - Dispatch Center

Project Location: Freeport, Texas, United States

Project Number: 15-6344 Phase 1 Revision 2

Issue Date: January 27, 2016

Products	Code	Unit Price	Quantity	Sub-Total
Dispatch Console	DSP-C	22,111.13	2	44,222.25
Millwork and General Accessories				4,550.00
<b>Project Services</b>				
Tajimna Flooring - Furnish and install appx. 364 sq ft. of Tajima Lay Flat 20"x 20" tiles Including Demo of exiting carpet				11,633.00
<b>Logistics</b>				
Packaging				Included
Freight				4,877.00
Install				To Follow
<b>Project Total (USD, All Sales Taxes Excluded)</b>				<b>65,282.25</b>

Note: Products on H-GAC Contract are marked as 'H'. H-GAC Contract No. EC07-14

Freight INCO Terms: FOB Destination to Freeport, Texas, United States

**Payment Terms:**

30% due upon Receipt of Invoice, NET 30, 2% NET 15

60% due upon Shipment of Work, NET 30, 2% NET 15

10% due upon Installation of Work, NET 30, 2% NET 15

Quote is NOT valid without the Evans Terms & Conditions document.

Quote validity period is 90 days for product (only). See Evans Terms & Conditions document for more details.



## PROJECT DETAILS

<b>Shipment A</b>	
<b>Packaging</b>	<b>Price</b>
Blanket Wrapped	Included
<b>Freight</b>	
Shipment by Truck (LTL) to Freeport, Texas, United States Evans Offload Transit Time: 10 Days	4,877.00
<b>Install</b>	
Evans Installation * The client must identify and provide a POC (point of contact) responsible for decision making or whom will have access to a person of authority for the duration of the scheduled installation activity. The appointed POC must ensure that either he/she or the authorized representative will be available upon completion of the installation activity to sign off the Evans PCR (Project Completion Report) * Failure to provide such a contact assumes the activity as reported has been accepted. ** Assumes that site preparedness has been met in accordance with the attached contract terms and conditions.	To Follow

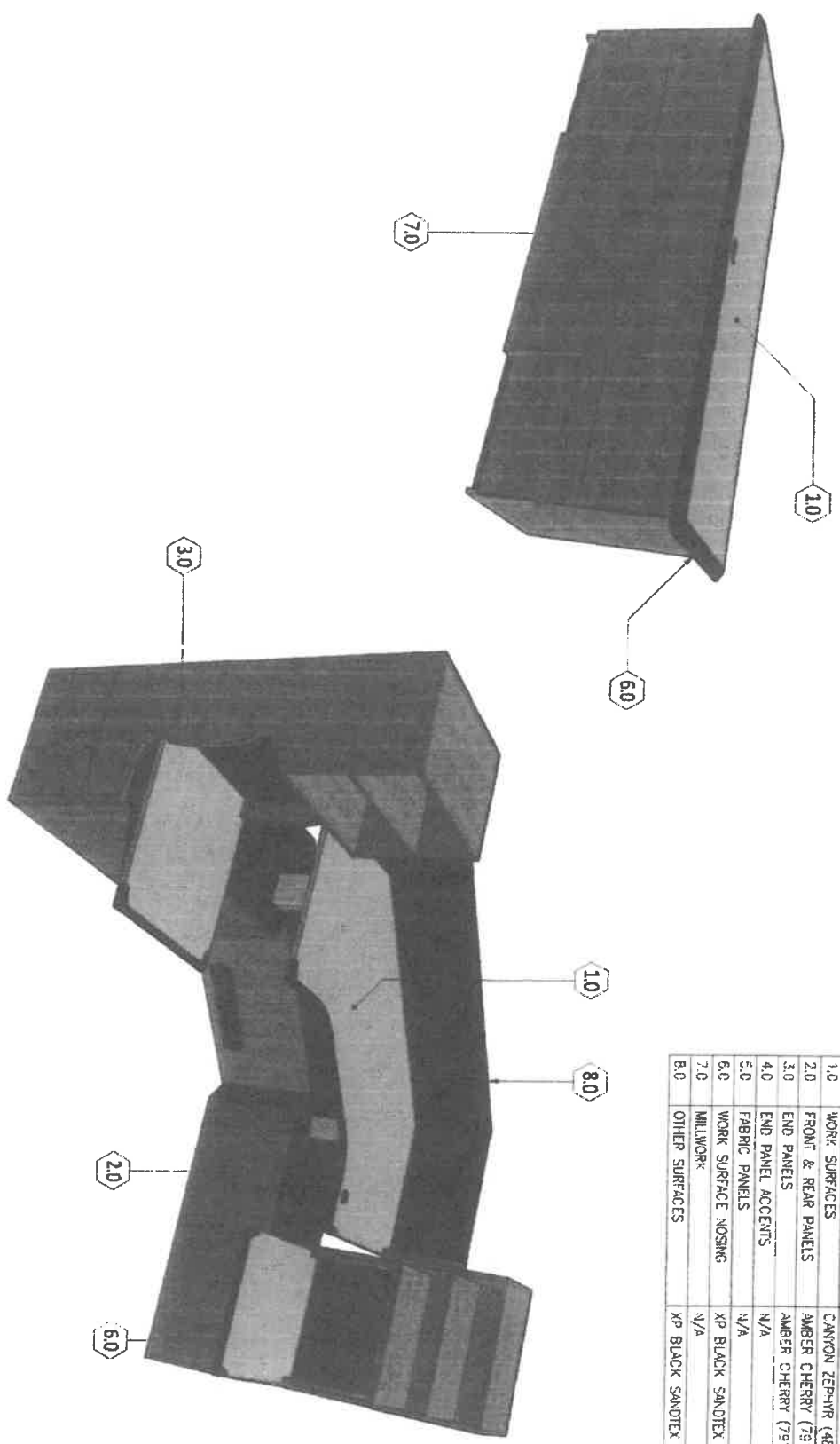


## BILL OF MATERIALS

Dispatch Console						
Dispatch - Qty: 2						
	Part Number	Description	Units	Unit Price	Qty	Extended Price
<b>PRODUCT STRUCTURE</b>						
1	CO-PF-HPL	High Pressure Laminate panel finish	Each	Included	1	Included
2	CO-SW-S-12	12" (305mm) high Slatwall system	Feet	244.80 H	16.5	4,039.20
3	CO-WLS-CSTS	Contact safety tape switch option for main platform	Feet	79.90 H	7.5	599.25
4	CO-WLS-LC-HD-2	Two heavy duty Lift Columns with control equipment; Main Platform; Includes worksurface support cage	Each	1,575.90 H	1	1,575.90
5	CO-WLS-SLS	Base cavity safety limit system (SLS) (per module)	Each	255.00 H	3	765.00
6	CO-WS	HPL Worksurface with PVC Front Edge	Feet	131.75 H	16.5	2,173.88
7	CSTM-DSP END PANELS W/SHELVES	2 End panels and Shelf Support, and Shelves	Each	1,025.00	2	2,050.00
8	DSP-FD-B	Base Full Depth Console	Feet	437.75 H	9	3,939.75
9	DSP-FD-MK	Full Depth Mitre kit (0° to 45°)	Each	337.45 H	2	674.90
10	DSP-FD-PSU-BF	Integrated 2-Drawer Personal Storage Unit (Box/File)	Each	690.20 H	1	690.20
11	DSP-RD-B	Base Reduced Depth Console	Feet	394.40 H	3.5	1,380.40
<b>EQUIPMENT/ACCESSORIES</b>						
12	CO-AL-LED-W	LED accent lighting; White	Feet	10.00	5	50.00
13	CO-EL-ECS	EnviroLinc environmental control system	Each	1,352.35 H	1	1,352.35
14	CO-ESS-BFS	Base Fixed Shelf	Each	169.15 H	2	338.30
15	CO-HT-FA-EL	Forced Air Heater mounted to front panel; EnviroLinc compatible	Each	408.00 H	1	408.00
16	CO-MA-E-SW-DT	Slatwall mounted Double Tier Monitor Arm by Evans (max 40 lbs. (18.1 kg) per arm)	Each	403.75 H	3	1,211.25
17	CO-PB-NA-6-6	North America Power Bar with mounting bracket; 120V/15A, 6 outlets, 6' power cord, CSA/UL	Each	84.15 H	3	252.45
18	CO-PB-NA-8-15	North America Power Bar with mounting bracket; 120V/15A, 8 outlets, 15' power cord, CSA/UL	Each	127.50 H	1	127.50
19	CO-PL-H-3X2	PowerLinc Hub; 3cct x 2, 5-20R	Each	325.55 H	1	325.55
20	CO-PL-JB-3R	PowerLinc Junction Box (3R)	Each	157.25 H	1	157.25
<b>Custom - Desk/Credenza</b>						
Millwork - Qty: 1						
	Part Number	Description	Units	Unit Price	Qty	Extended Price
<b>PRODUCT STRUCTURE</b>						
21	CSTM-CREDENZA DESK	72" Credenza Desk with Drawers	Each	4,550.00	1	4,550.00

**FINISH SCHEDULE**

ITEM	NAME	SELECTED FINISH
1.0	WORK SURFACES	CANYON ZEPHYR (4842-69)
2.0	FRONT & REAR PANELS	AMBER CHERRY (7919-82)
3.0	END PANELS	AMBER CHERRY (7919-82)
4.0	END PANEL ACCENTS	N/A
5.0	FABRIC PANELS	N/A
6.0	WORK SURFACE NOSING	XP BLACK SANDTEX
7.0	MILLWORK	N/A
8.0	OTHER SURFACES	XP BLACK SANDTEX



REGISTERED TO  
180,001,208  
STATE OF VIRGINIA

VA  
NSC  
LICENSE  
180,001,208  
EVAN S. EVANS  
PROFESSIONAL ENGINEER

www.evansonline.com

**EVANS**

THE COMPANY AND ITS EMPLOYEES SHALL NOT BE HELD RESPONSIBLE FOR ANY ERRORS OR OMISSIONS (INCLUDING BUT NOT LIMITED TO THE COMPANY'S MATH) REPRODUCED WITHOUT THE COMPANY'S WRITTEN PERMISSION.

CLIENT INFORMATION FOR PRODUCTION

CLIENT PROJECT: **FREEPORT POLICE DISPATCH**

LOCATION: FREEPORT, TEXAS

DATE: 1/27/2011

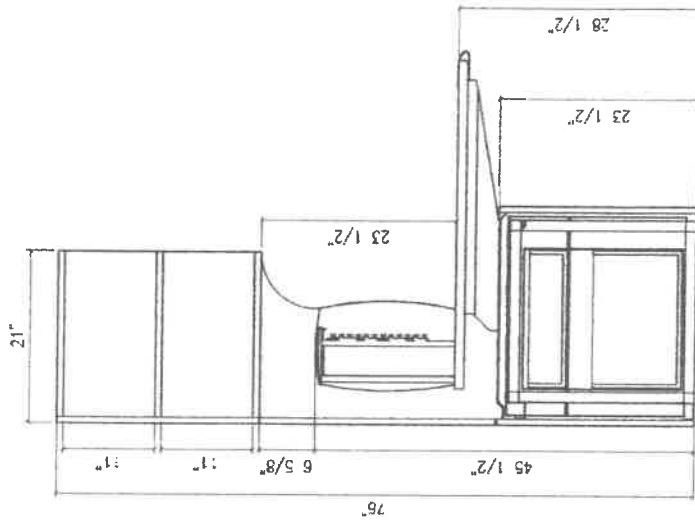
SCALE: 9 OF 9

PROJECT: 15-6344-301

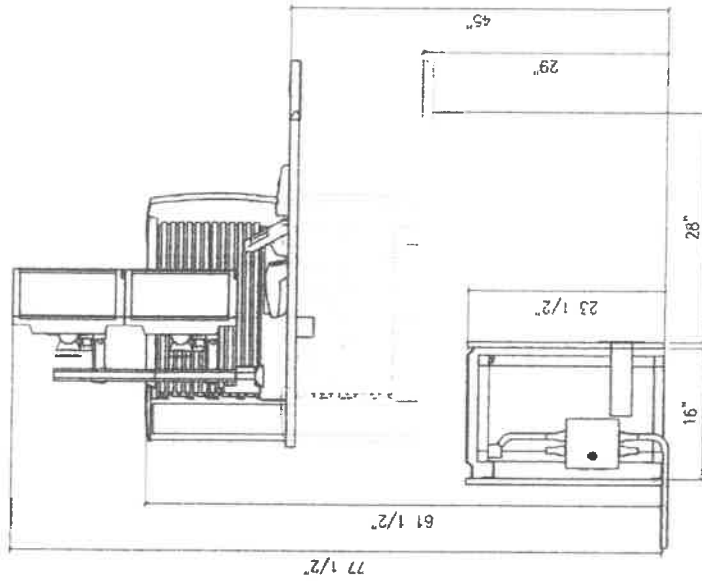
REVISION HISTORY

REV	COMMENT	DATE	BY
A	INITIAL RELEASE	1/27/2011	TEH

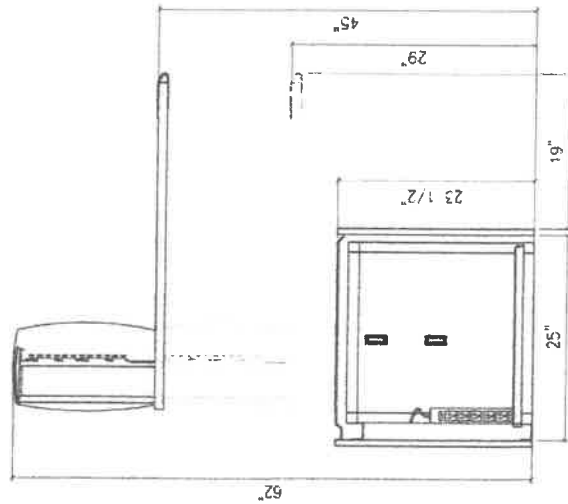
NOTE: TYPICAL SECTION VIEWS SHOWN. SOME DISPLAYED OPTIONS MAY NOT BE INCLUDED. REFER TO PRODUCT PLAN VIEW, PERSPECTIVE VIEW, OR INTERNAL EQUIPMENT VIEW FOR VIEW OF ACTUAL OPTIONS.



DISPATCH III  
BRIDGE & CABINET

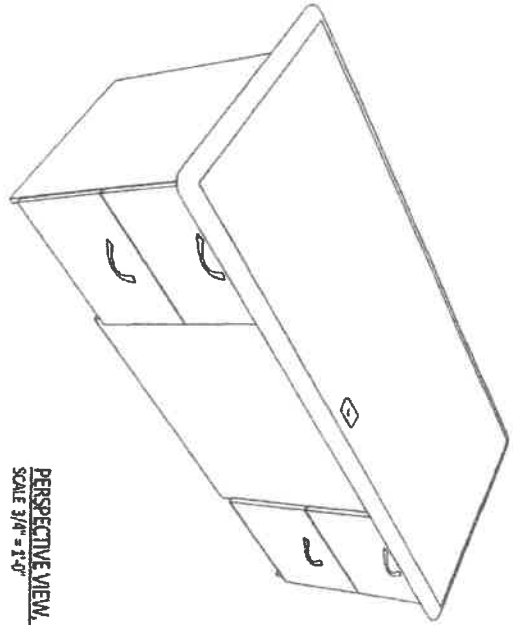


DISPATCH III  
REDUCED DEPTH

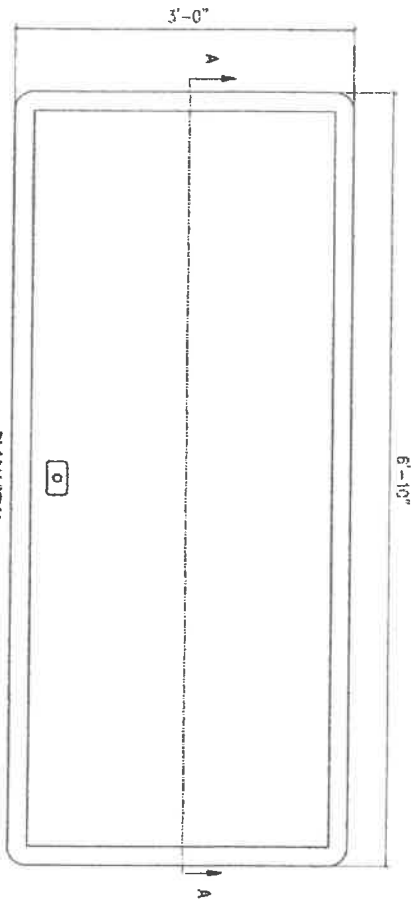


DISPATCH III  
FULL DEPTH

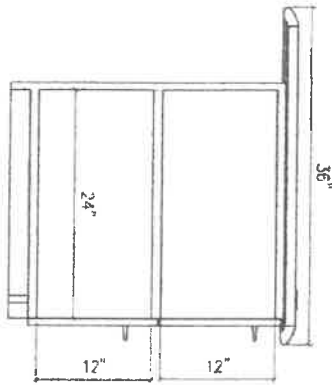
 REGISTERED TO ISO 9001:2008 ISO 14004 ENVIRONMENTAL & SOCIAL COMPLIANCE	www.evansonline.com <b>EVANS</b> <small>EVANS ELECTRONIC SYSTEMS, INC.</small> <small>THE INFORMATION STATEMENT AND SECURITY OF BANKS CONSOLE AND MUST NOT BE USED OR REPRODUCED WITHOUT THE COMPANY'S WRITTEN PERMISSION.</small>	CLIENT / PROJECT <b>FREEPORT POLICE DISPATCH</b> <small>LOCATION: FREEPORT, TEXAS</small>	DRAWING <b>STANDARD SECTION VIEWS</b>	PROJECT / PART ID DISPATCH III DRAWING NUMBER <b>8 OF 9</b>	HPI REV <b>A</b>
		CLIENT INFORMATION FOR PRODUCTION <small>DISPATCH III</small>	REVISION HISTORY REV <b>A</b> COMMENT INITIAL RELEASE DATE 1/15/2015 AUTHOR TWH	DATE 1/15/2015 SCALE AS SHOWN TYPICAL PRODUCT NUMBER <b>15-6344-301</b>	PROJECT / PART ID DISPATCH III DRAWING NUMBER <b>8 OF 9</b>



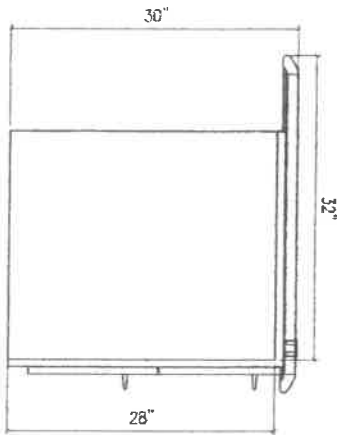
PERSPECTIVE VIEW, QTY: 1  
SCALE 3/4" = 1'-0"



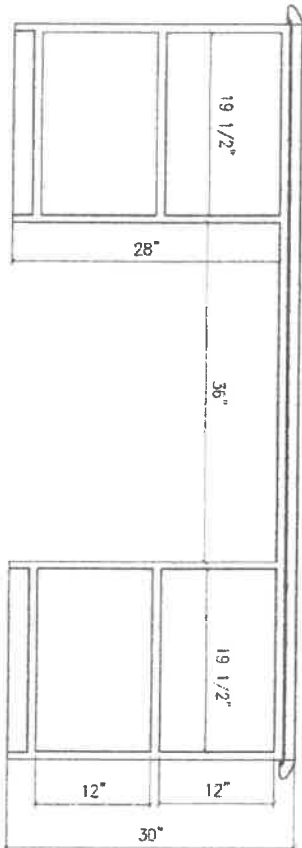
PLAN VIEW  
SCALE 1" = 1'-0"



CABINET - STANDARD SECTION



SEATING - STANDARD SECTION



SECTION A-A  
SCALE 1" = 1'-0"



REGISTERED TO  
ISO 9001:2008  
RD 11184  
PROCESSED UNDER  
A QUALITY SYSTEM

**EVA**  
NSC  
ONR  
DNR  
NSC  
ONR  
DNR

www.evansonline.com  
**EVANS**  
PROFESSIONAL ENGINEERING  
CONSULTANTS  
THE QUALITY SYSTEM IS A REGISTERED  
TRADEMARK OF EVANS ONLINE. IT IS NOT TO BE  
REPRODUCED WITHOUT THE COMPANY'S WRITTEN  
PERMISSION.

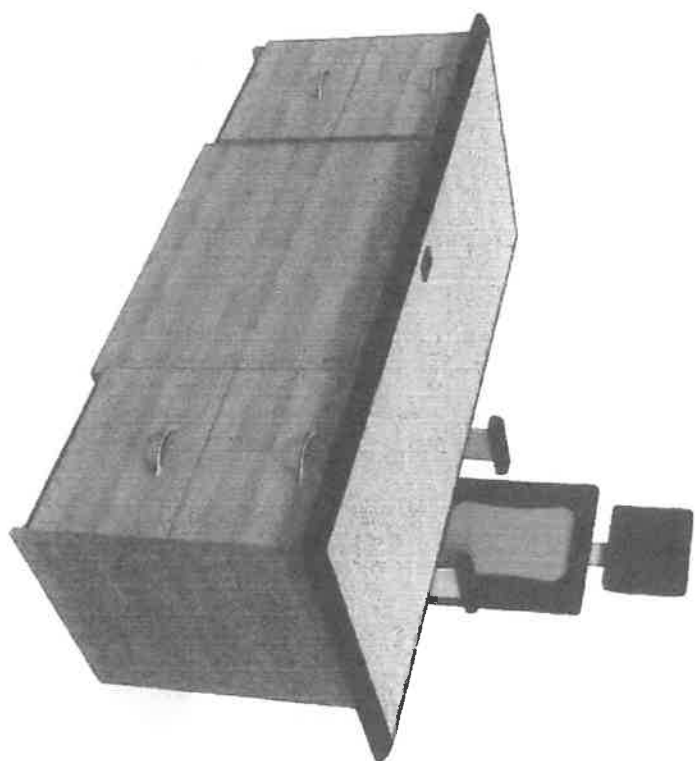
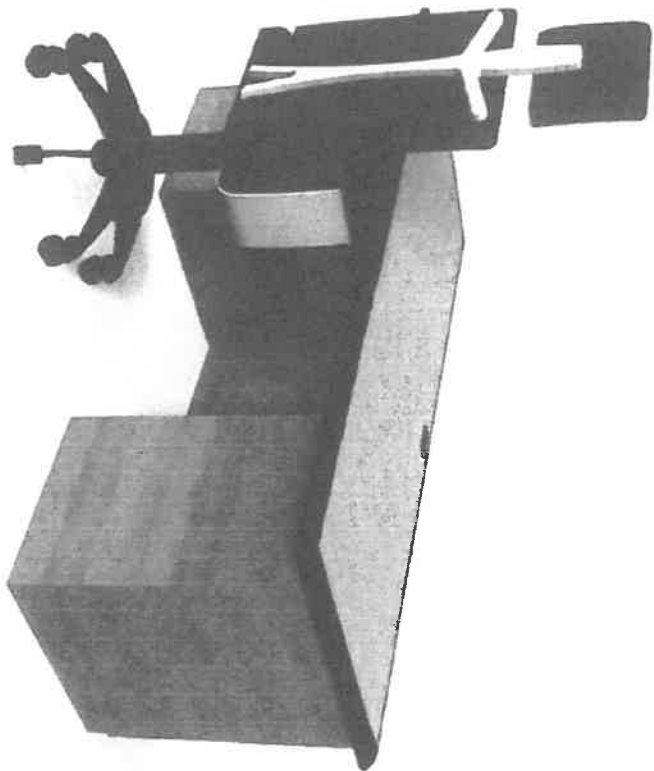
CLIENT: FREEMONT POLICE PRODUCTION  
DRAWING DATE:

CLIENT PROJECT:  
**FREEMONT  
POLICE  
DISPATCH**

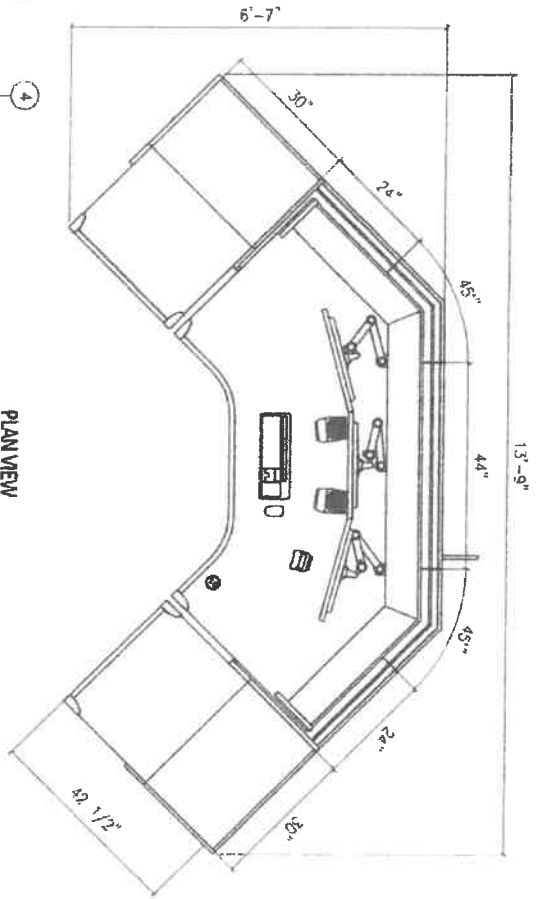
DRAWING:  
**MILLWORK\_1**

REVISION HISTORY			
REV	COMMENT	DATE	AUTHOR
A	INITIAL SETBACK	1/17/2011	NEW

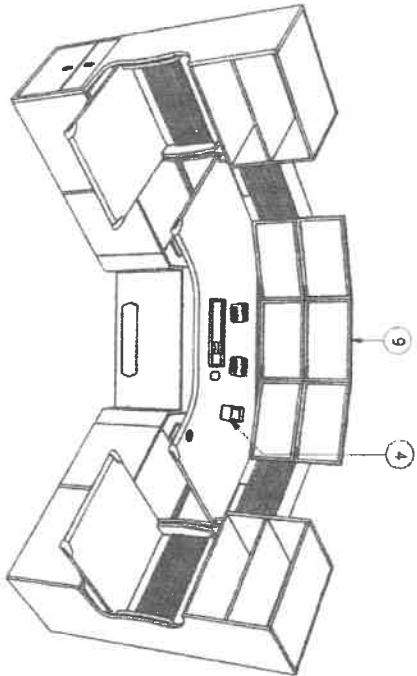
PROJECT:  
DRAWN BY: **MARK**  
DATE: **1/17/2011**  
SCALE: **AS SHOWN**  
7 OF 9  
PROJECT NUMBER:  
**15-6344-301**



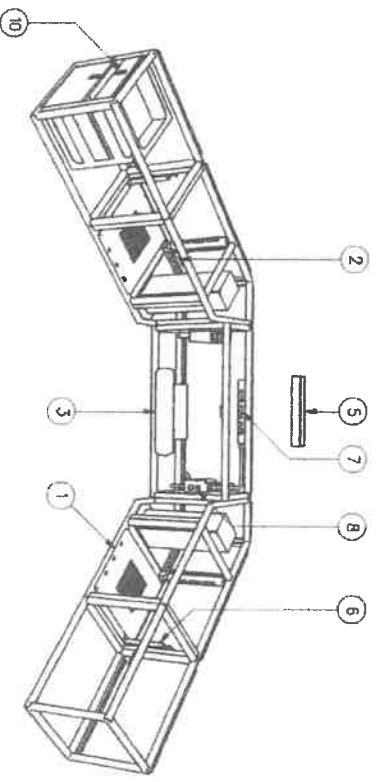
		REGISTERED TO <b>ISO 9001:2008</b> PROVIDING DESIGN OF COMMERCIAL CENTERS									
<b>EVANS</b> ENGINEERING, ARCHITECTURE, INTERIOR DESIGN AND DESIGN-BUILD SERVICES 1000 N. 10TH ST., SUITE 100 DENVER, CO 80202		www.evansonline.com THE DRAWING AND DESIGN ARE THE PROPERTY OF EVANS AND SHALL REMAIN THE PROPERTY OF EVANS WITHOUT THE COMPANY'S WRITTEN PERMISSION									
CLIENT INFORMATION FOR PRODUCTION SIGNATURE: _____ DATE: _____		CLIENT PROVIDED <b>FREEMONT          POLICE          DISPATCH</b>									
DRAWING <b>MILLWORK          RENDER</b>		PROJECT DATE: 10/26/16 SCALE: AS SHOWN TOTAL PROJECT NUMBER: <b>15-6344-301</b>									
REVISION HISTORY <table border="1"> <thead> <tr> <th>REV</th> <th>DESCRIPTION</th> <th>DATE</th> <th>AUTHOR</th> </tr> </thead> <tbody> <tr> <td>1</td> <td>INITIAL RELEASE</td> <td>1/17/2016</td> <td>TEAM</td> </tr> </tbody> </table>		REV	DESCRIPTION	DATE	AUTHOR	1	INITIAL RELEASE	1/17/2016	TEAM	SHEET <b>6 OF 9</b> REV <b>A</b>	
REV	DESCRIPTION	DATE	AUTHOR								
1	INITIAL RELEASE	1/17/2016	TEAM								



PLAN VIEW  
SCALE 1/2" = 1'-0"



PERSPECTIVE VIEW, QTY: 1  
SCALE 3/8" = 1'-0"



INTERNAL/EQUIPMENT VIEW  
SCALE 7/16" = 1'-0"

**LEGEND**

ITEM	QTY	DESCRIPTION
1	2	BASE FIXED SHELF MAX EQ: 17 1/2" X 19.5D X 1BH
2	5	CAVITY LIGHT
3	1	EMERGENCY COMPATIBLE FORCED AIR HEATER
4	1	EMERGENCY CONTROL SYSTEM
5	1	NORTH AMERICAN POWER BAR: 120V/15A, 6 OUTLETS, 15" POWER CORD
6	3	NORTH AMERICAN POWER BAR: 120V/15A, 6 OUTLETS, 6" POWER CORD
7	2	POWERLING HUB: 30CT X 2, 5-2GR
8	1	POWERLING JUNCTION BOX
9	3	SLATWALL DOUBLE TIER MONITOR ARM MAX EQ: 40LBS (18.1KG)
10	1	PERSONAL STORAGE UNIT

NOTE: LOCATION OF ALL WORKSURFACE SUPPORT ARMS, CONSOLE SUPPORT FEET AND WORKSURFACE SEAMS WILL BE DETERMINED UPON DETAILED DESIGN AND FABRICATION.

REGISTERED TO  
ISO 9001:2008

ISO 11804  
ECONOMIC CENTER  
OF CENTRAL CALIFORNIA

VA  
NSIC  
NSC  
NSC  
NSC  
NSC

www.evansonline.com

**EVANS**

PROFESSIONAL ENGINEERING  
CONSULTING ARCHITECTURE  
INTERIOR DESIGN AND  
CONSTRUCTION MANAGEMENT  
CORPORATION

CLASSIFICATION: PRODUCTION

CLASSIFICATION: PRODUCTION

CLASSIFICATION: PRODUCTION

CLASSIFICATION: PRODUCTION

REVISION HISTORY

REV	COMMENT	DATE	AUTHOR
A	INITIAL RELEASE	12/27/2018	TSM

PROJECT: DISPATCH

ORDER NO. 15-6344-301

DATE: 12/27/2018

TOTAL: 5 OF 9

EVANS PROJECT NUMBER: 15-6344-301

FREEPORT  
POLICE  
DISPATCH

CONSOLE 2

CLASSIFICATION: PRODUCTION

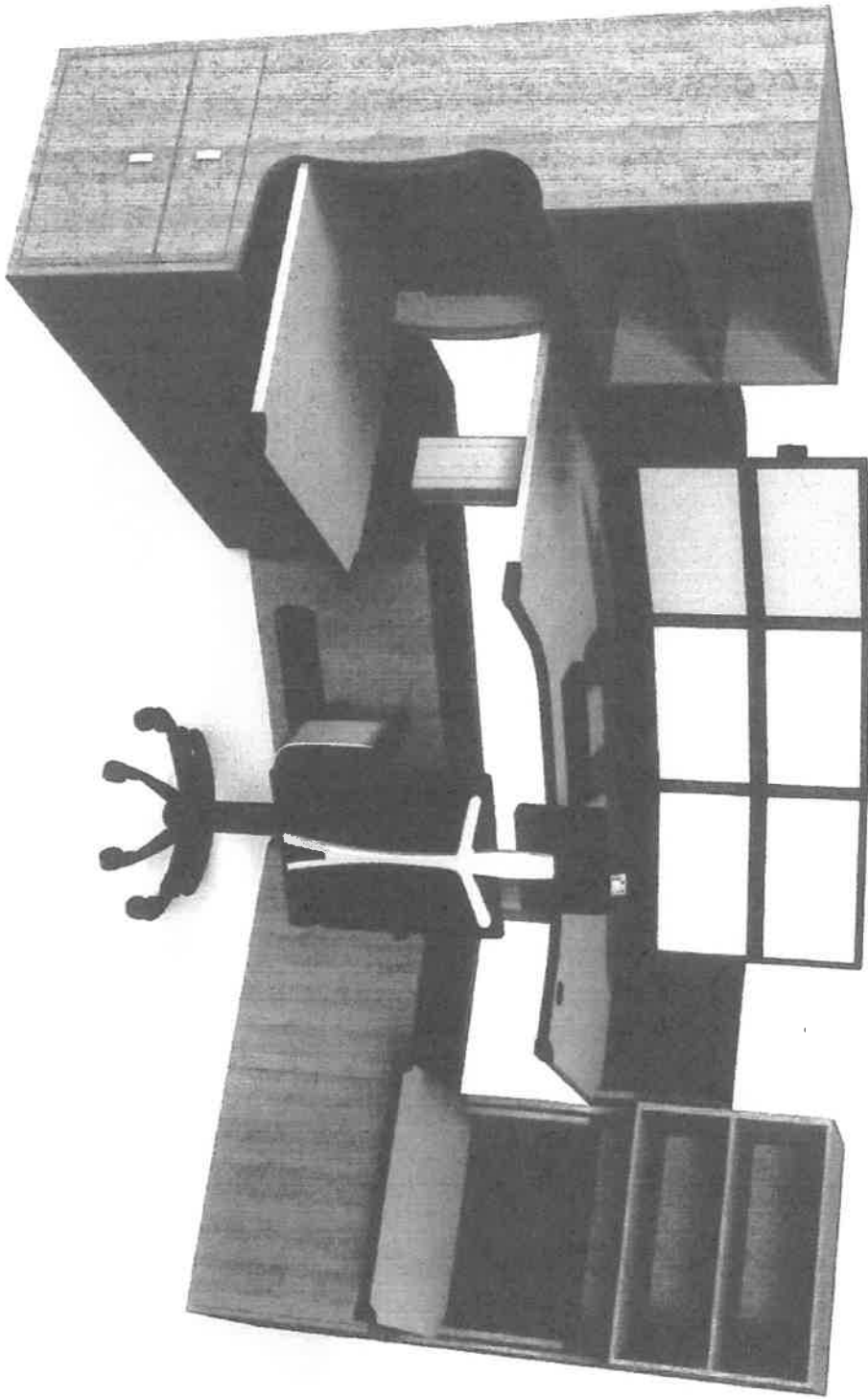
CLASSIFICATION: PRODUCTION

CLASSIFICATION: PRODUCTION

CLASSIFICATION: PRODUCTION







REGISTERED TO  
ISO 9001:2008  
LEO 11564  
EVIDENCE DESIGN  
OF QUALITY CENTRE

VA  
NSC  
ONS  
LEED  
GREEN  
BUILDING  
RATED  
LEED  
GREEN  
BUILDING  
RATED  
LEED  
GREEN  
BUILDING  
RATED

www.evansonline.com  
**EVANS**  
PROFESSIONAL SERVICES  
THE COMPANY AND DESIGN ARE THE PROPERTY  
OF EVANS AND SHOULD NOT BE REPRODUCED  
WITHOUT THE COMPANY'S WRITTEN  
PERMISSION

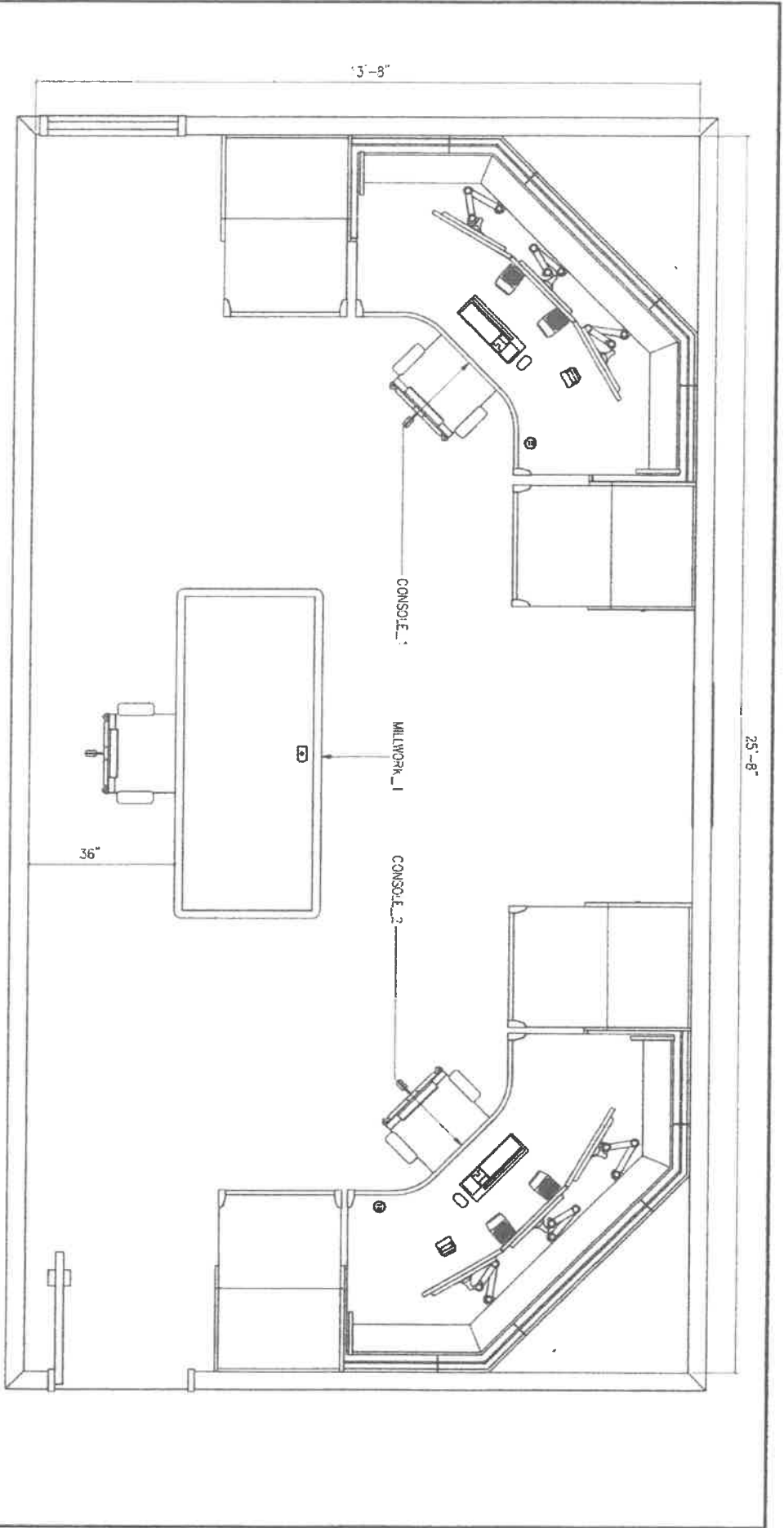
CLIENT IDENTIFICATION FOR PRODUCTION  
SPECIFICATION LIST

CLIENT/PROJECT  
**FREEPORT  
POLICE  
DISPATCH**

STATUS  
**CONSOLE  
RENDER**

REVISION HISTORY			
REV	COMMENT	DATE	AUTHOR
A	INITIAL RELEASE	VJ/7/16	ICON

PROJECT		DATE		SCALE	
15-6344-301	15-6344-301	3 OF 9	3 OF 9	AS SHOWN	AS SHOWN



THE ROOM DIMENSIONS AND LAYOUT SHOWN ON THIS DRAWING HAVE BEEN PROVIDED TO EVANS REPRESENTATIVE. THIS CONSOLE DESIGN ASSUMES A MINIMUM 34 3/4" CLEAR PATH OF TRAVEL INTO THE CONTROL ROOM. EVANS CONSOLES HAS NOT PERFORMED A SITE INSPECTION TO VERIFY ROOM DIMENSIONS OR FLOOR PLAN LAYOUT. WE STRONGLY SUGGEST THAT THE DIMENSIONS AND LAYOUT SHOWN ARE VERIFIED BY THE END USER PRIOR TO THE APPROVAL OF THIS DRAWING.

	<b>EVANS</b> <small>PROFESSIONAL SERVICES</small> <small>THE DESIGN AND INSTALLATION OF PROPERTY OF BOARD CONSOLES AND PARTS NOT BE LIAED OR REPRODUCED WITHOUT THE COMPANY'S WRITTEN PERMISSION.</small>	CLIENT PROJECT: <b>FREEPORT POLICE DISPATCH</b>	CLIENT PROJECT: <b>FREEPORT POLICE DISPATCH</b>	DRAWING: <b>ROOM LAYOUT</b>	REVISION HISTORY: A    CHANGED    DATE: 11/20/08    BY: JAMES A    ORIGINAL    DATE: 11/20/08    BY: JAMES	PRODUCT: <b>HP</b> VENDOR: <b>HP</b> DRAWING NUMBER: <b>2 OF 9</b> DATE: 11/20/08 EVANS PROJECT NUMBER: <b>15-6344-301</b>
		CLIENT PROJECT: <b>FREEPORT POLICE DISPATCH</b>	CLIENT PROJECT: <b>FREEPORT POLICE DISPATCH</b>	DRAWING: <b>ROOM LAYOUT</b>	REVISION HISTORY: A    CHANGED    DATE: 11/20/08    BY: JAMES A    ORIGINAL    DATE: 11/20/08    BY: JAMES	PRODUCT: <b>HP</b> VENDOR: <b>HP</b> DRAWING NUMBER: <b>2 OF 9</b> DATE: 11/20/08 EVANS PROJECT NUMBER: <b>15-6344-301</b>



REGISTERED TO  
ISO 9001 2008  
ISO 11828  
ANALYSIS  
OF CONTROL CENTRES

VA  
NSIC  
LEADS  
TABLE  
TABLE  
TABLE

www.evansonline.com

PROFESSIONAL SERVICES  
THE QUALITY AND INTEGRITY OF EVANS CONSULTANTS AND SERVICES ARE NOT BE USED OR REPRODUCED WITHOUT THE COMPANY'S WRITTEN PERMISSION

CLIENT AND/OR PROJECT FOR PRODUCTION

CLIENT PROJECT

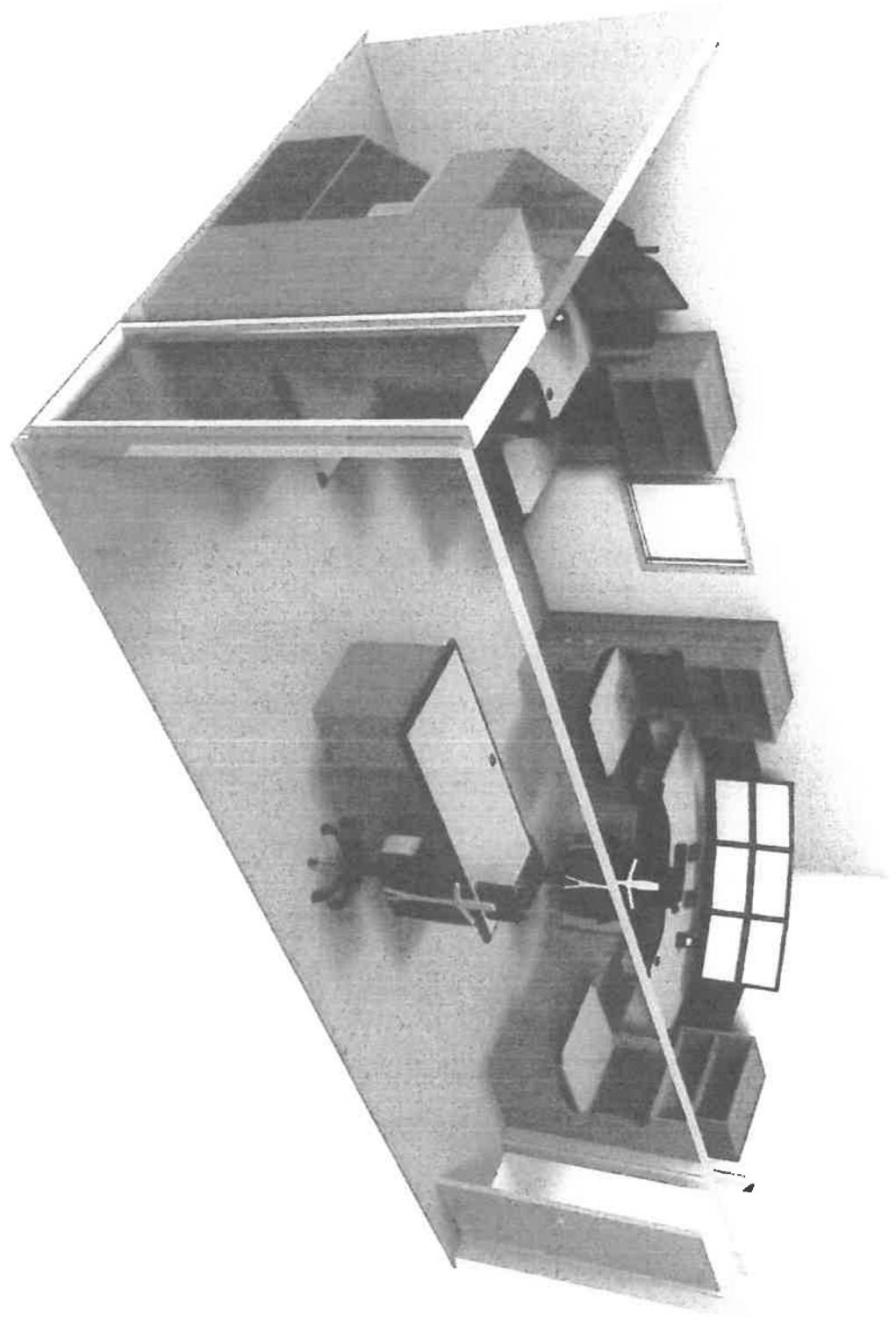
**FREEPORT  
POLICE  
DISPATCH**

**ROOM LAYOUT -  
3D VIEW**

REVISION HISTORY			
REV	COMMENT	DATE	AUTHOR
1	INITIAL RELEASE	1/23/04	HPM

PROJECT		ROOM	
VALUES	ROOM	H-PL	REV
DATE: 03/20/04	1 OF 9		A
SCALE: NORMAL			
EVANS PROJECT NUMBER:			

15-6344-301





The BCHCC is requesting approval for the Cinco de Mayo Parade on Saturday, May 7<sup>th</sup>, 2016 starting at 11:00 am. The parade will start at the Freeport Museum, 311 East Park Ave and end at Baywoods Parking lot. We will also need police officers to please assist in the road closers during the parade time.

Gina Aguirre Adams  
President/CEO  
Brazoria County Hispanic Chamber of Commerce

AN ORDINANCE OF THE CITY OF FREEPORT, TEXAS; CONTAINING A PREAMBLE; AMENDING ORDINANCE NO. 2016-2103 OF SAID CITY, WHICH CALLED THE ANNUAL GENERAL ELECTION FOR THE CITY OF FREEPORT FOR THE SECOND SATURDAY IN MAY, 2016, BEING MAY 7, 2016, AT WHICH THE VOTERS OF SAID CITY RESIDING IN WARDS A AND C SHALL BE PERMITTED TO VOTE FOR OR AGAINST THE CANDIDATES FOR POSITIONS A AND C ON THE CITY COUNCIL OF THE CITY OF FREEPORT; AMENDING THE PROVISIONS OF SAID ORDINANCE DESIGNATING POLLING PLACES FOR THE DAY OF SAID ELECTION AND AMENDING THE PROVISIONS OF SAID ORDINANCE DESIGNATING POLLING PLACES FOR EARLY VOTING; PROVIDING FOR RATIFICATION AND CONFIRMATION BY THE MAYOR OF SAID CITY OF THE ACTION TAKEN BY THIS ORDINANCE; AND PROVIDING FOR AN EFFECTIVE DATE OF THIS ORDINANCE.

WHEREAS, on the 1<sup>st</sup> day of February, 2016, the Mayor and City Council of the City of Freeport, Texas, ordered and ordained, respectively, that a general election be held on the second Saturday in May, 2016, being May 7, 2016, throughout said City for Positions A and C on the City Council of said City, as more fully appears in Ordinance No. 2016-2103 of said City; and,

WHEREAS, the City Council of the City of Freeport, Texas, desires to amend the provisions of said ordinance with respect to the polling places at which electors may vote on election day and for early voting.

NOW, THEREFORE, THE MAYOR AND CITY COUNCIL OF THE CITY OF FREEPORT, TEXAS, HEREBY ORDER AND ORDAIN, RESPECTIVELY:

First, Section Two of said Ordinance No. 2016-2103, is hereby amended to read as follows:

"SECTION TWO--Municipal Polling Places

As provided in the Joint Election Agreement and Contract for Election Services between the City and the County Clerk of Brazoria County, Texas, which is incorporated herein by reference, for the purpose of the election called by this ordinance, there shall be one (1) municipal polling place, located within the City of Freeport located at the Freeport Library, 410 Brazosport Blvd., Freeport, Brazoria County, Texas, where all voters residing with the City shall vote including those residing in Brazoria County Election Precinct 8, on election day. On that day, voting will also be permitted at the following Vote Center Poling Places:

East Annex (Old Walmart)	1524 E Mulberry, Angleton
Ryan Center	2925 South Bypass 35, Alvin
Brazoria Library	620 S Brooks, Brazoria
Liverpool City Hall	8901 CR 171, Liverpool
Freeport Library	410 N. Brazosport Boulevard
Drainage District #4 Building	4807 W Broadway, Pearland
Turner High School	4717 Bailey Rd., Pearland

Sweeny Community Center	205 W Ashley-Wilson Rd, Sweeny
Danbury Community Center	6115 5 <sup>th</sup> St, Danbury
Clute City Hall	108 E. Main, Clute
Jones Creek Comm House	7207 Stephen F. Austin Rd., Jones Creek
Lake Jackson Civic Center	333 Hwy 332 East, Lake Jackson
Richwood City Hall	1800 N Brazosport Blvd, Richwood
Hillcrest Village Municipal Building	200 W Timberlane, Alvin
Westside Event Center	2150 Countryplace Pkwy, Pearland
Mims Community Center	4283 FM 521, Brazoria
Surfside Beach City Hall	1304 Monument Dr, Surfside Beach
Alvin Library	105 S Gordon, Alvin
Courthouse North Annex	7313 Corporate Dr, Manvel
Silverlake Recreation Center	2715 Southwyck Pkwy, Pearland
Tom Reid Library	3522 Liberty Dr, Pearland
Courthouse West Annex	451 N Velasco, Angleton
Fellowship Bible Church	1720 E. Broadway, Pearland
Pearland Westside Library	2803 Business Center Dr #101, Pearland

Second, Section Six of said Ordinance No. 2016-2103, is hereby amended to read as follows:

SECTION SIX--Early Voting.

Early voting shall begin on April 25, 2016, and end on May 3, 2016, such early voting to be conducted by the County Clerk of Brazoria County, Texas, at the following locations between the hours of 8:00 a.m. and 5:00 p.m., Monday April 25, 2016, through Friday, May April 29, 2016, and between the hours of 7:00 a.m. through 7:00 p.m. on Saturday, April 30, Monday, May 2, and Tuesday, May 3, 2016:

East Annex (Old Walmart)	1524 E Mulberry #144, Angleton
Alvin Libarary	105 S. Gordon, Alvin
Brazoria Library	620 S Brooks, Brazoria
Freeport Library	410 Brazosport Blvd., Freeport
Lake Jackson Library	250 Circle Way, Lake Jackson
Courthouse North Annex	7313 Corporate Dr, Manvel
Tom Reid Library	3522 Liberty Dr, Pearland
Westside Event Center	2150 Countryplace Pkwy, Pearland

Pearland Westside Library  
Sweeny Community Center

2803 Business Center Dr #101, Pearland  
205 W. Ashley Wilson Rd., Sweeny

Third, in the event any section or provision of this ordinance is found to be unconstitutional, void or inoperative by the final judgment of a court of competent jurisdiction, such defective provision, if any, is hereby declared to be severable from the remaining sections and provisions of this ordinance and such remaining sections and provisions shall remain in full force and effect.

Fourth, by signing this ordinance, the undersigned Mayor of the City hereby ratifies and confirms as his action all matters hereinabove recited which by law come within his jurisdiction.

Fifth, this ordinance shall take effect and be in force from and after its passage and adoption.

READ, PASSED AND ADOPTED this \_\_\_\_ day of \_\_\_\_\_, 2016.

\_\_\_\_\_  
Norma Moreno Garcia, Mayor  
City of Freeport, Texas

ATTEST:

\_\_\_\_\_  
Delia Munoz, City Clerk  
City of Freeport, Texas

APPROVED AS TO FORM ONLY:

\_\_\_\_\_  
Wallace Shaw, City Attorney  
City of Freeport, Texas

C:\Freeport.Elc\2016 Electn Ord-Amn



NOTICE OF ELECTION FOR MAYOR AND COUNCIL POSITIONS A AND C

TO: ALL PERSONS ENTITLED TO VOTE UNDER THE PROVISIONS OF CHAPTER 11 OF TITLE 2 OF THE TEXAS ELECTION CODE WHO ARE RESIDENTS OF THE CITY OF FREEPORT, TEXAS, AND ARE DULY REGISTERED TO VOTE IN THE PRECINCT WHERE AND ON THE DAY ON WHICH THEY VOTE, GREETINGS:

I.

You will take notice that an annual general election will be held in the City of Freeport, Texas, on the first Saturday in May, 2016, being May 7, 2016, between the hours of 7:00 a.m. and 7:00 p.m. for the purpose of electing, for a two year term, a mayor, and in Wards A and C, for the purpose of electing, for a term of two years each, persons to the following named offices of the City of Freeport, Texas, to-wit:

Council Position A, now held by JONATHAN SUBLET; and,  
Council Position C, now held by SANDRA LOEZA.

II.

As provided in the Joint Election Agreement and Contract for Election Services between the City and the County Clerk of Brazoria County, Texas, there shall be one (1) municipal polling place for said election, within the City of Freeport located at the Freeport Library, located at 410 Brazosport Boulevard, Freeport, Texas, where all voters residing with the City, including those residing in Brazoria county election precinct 8, shall vote on election day. On the day of such election, voters may also vote in any of the following voting centers in Brazoria County, Texas:

East Annex (Old Walmart)	1524 E Mulberry, Angleton
Ryan Center	2925 South Bypass 35, Alvin
Brazoria Library	620 S Brooks, Brazoria
Liverpool City Hall	8901 CR 171, Liverpool
Freeport Library	410 N. Brazosport Boulevard

Drainage District #4 Building	4807 W Broadway, Pearland
Turner High School	4717 Bailey Rd., Pearland
Sweeny Community Center	205 W Ashley-Wilson Rd, Sweeny
Danbury Community Center	6115 5 <sup>th</sup> St, Danbury
Clute City Hall	108 E. Main, Clute
Jones Creek Comm House	7207 Stephen F. Austin Rd., Jones Creek
Lake Jackson Civic Center	333 Hwy 332 East, Lake Jackson
Richwood City Hall	1800 N Brazosport Blvd, Richwood
Hillcrest Village Municipal Building	200 W Timberlane, Alvin
Westside Event Center	2150 Countryplace Pkwy, Pearland
Mims Community Center	4283 FM 521, Brazoria
Surfside Beach City Hall	1304 Monument Dr, Surfside Beach
Alvin Library	105 S Gordon, Alvin
Courthouse North Annex	7313 Corporate Dr, Manvel
Silverlake Recreation Center	2715 Southwyck Pkwy, Pearland
Tom Reid Library	3522 Liberty Dr, Pearland
Courthouse West Annex	451 N Velasco, Angleton
Fellowship Bible Church	1720 E. Broadway, Pearland
Pearland Westside Library	2803 Business Center Dr #101, Pearland

### III.

Early voting shall begin on April 25, 2016, and end on May 3, 2016, such early voting to be conducted by the County Clerk of Brazoria County, Texas, between the hours of 8:00 a.m. and 5:00 p.m. at the following locations, from Monday, April 25, 2016, through Friday, April 29, 2016, and between the hours of 7:00 a.m. through 7:00 p.m. on Saturday, April 30, Monday, May 2, and Tuesday, May 3, 2016, at such locations, to-wit:

East Annex (Old Walmart)	1524 E Mulberry # 144, Angleton
Alvin Libarary	105 S. Gordon, Alvin
Brazoria Library	620 S Brooks, Brazoria

Freeport Library	410 Brazosport Blvd., Freeport
Lake Jackson Library	250 Circle Way, Lake Jackson
Courthouse North Annex	7313 Corporate Dr, Manvel
Tom Reid Library	3522 Liberty Dr, Pearland
Westside Event Center	2150 Countryplace Pkwy, Pearland
Pearland Westside Library	2803 Business Center Dr #101,
Sweeny Community Center	205 W. Ashley Wilson Rd., Sweeny

WITNESS MY OFFICIAL SIGNATURE HEREUNTO AFFIXED this \_\_\_\_ day of \_\_\_\_\_, 2016

---

Norma Moreno Garcia, Mayor,  
City of Freeport, Texas

ATTEST:

---

Delia Muñoz, City Secretary,  
City of Freeport, Texas

MAYOR'S RETURN

I certify that on the \_\_\_\_ day of \_\_\_\_\_, 2016, I posted a true and correct copy of the foregoing "Notice of Election", on the bulletin board located at the Freeport City Hall used for posting notices of meetings of the City Council, such day being more than twenty-one (21) days prior to said election.

---

Norma Moreno Garcia, Mayor,  
City of Freeport, Texas

CITY SECRETARY'S RETURN

I hereby certify that I caused a copy the above and foregoing "Notice of Election" to be published in the Brazosport Facts, heretofore designated as the official newspaper of the City of Freeport, Texas, it being a newspaper published in the adjoining City of Clute, in Brazoria County, Texas, which meets all of the criteria set forth in Section 2051.044 of the Government Code. I requested that, such publication be one (1) time, not less than ten (10) days nor more than thirty (30) days before the date hereinabove fixed for the holding of said election.

WITNESS my official signature and the seal of said City hereunto affixed this \_\_\_\_ day of \_\_\_\_\_, 2016.

---

Delia Muñoz, City Secretary  
City of Freeport, Texas

AVISO DE ELECCION PARA ALCALDE Y PARA POSICIONES CONSEJALES A Y C

PARA: TODAS LAS PERSONAS CON DERECHO AL VOTO BAJO LAS PROVISIONES DEL CAPITULO 11 DE EL TITULO 2 D EL CODIGO DE ELECCIONES DE TEXAS QUE SON RESIDENTES DE LA CIUDAD DE FREEPORT, TEXAS, Y QUE SE ENCUENTRAN DEBIDAMENTE REGISTRADOS PARA VOTAR EN EL RECINTO DONDE Y EN EL DIA EN QUE SE VOTE, SALUDOS:

I.

Este es un aviso que una eleccion general anual se llevara a cabo en la Ciudad de Freeport, Texas, en el primer Sabado en Mayo, 2016, que es Mayo 7, 2016, entre las horas de 7:00 a.m. y 7:00 p.m. con el proposito de elegir, para un termino de dos (2) años, a una persona para las posiciones de Alcalde, y en los distritos electorales A y C, con el proposito de elegir para un termino de 2 años cada uno, a personas para las siguientes posiciones de la Ciudad de Freeport, Texas, a saber:

Posicion Consejal A, ahora ocupada por JOHNATHAN SUBLET; Y

Posicion Consejal C, ahora ocupada por, SANDRA LOEZA.

II.

Conforme lo dispuesto en el acuerdo de eleccion conjunta y en el contrato de servicios de eleccion entre la Ciudad y el Secretario del Condado de Brazoria, Texas, debera haber un (1) lugar de votacion municipal para dicha eleccion, dentro de la Ciudad de Freeport localizado en el Freeport Library, 410 Brazosport Blvd, Freeport, Texas, donde todos los votantes que viven dentro de la Ciudad incluyendo a los que viven en el Condado de Brazoria distrito electoral 8, deben votar el dia de eleccion. En ese dia votaciones tambien se permitiran en cualquiera de los siguientes Sitios de votacion:

East Annex (Old Walmart)	1524 E Mulberry, Angleton
Ryan Center	2925 South Bypass 35, Alvin
Brazoria Library	620 S Brooks, Brazoria
Liverpool City Hall	8901 CR 171, Liverpool
Freeport Library	430 North Brazosport
Drainage District #4 Building	4807 W Broadway, Pearland
Turner High School	4717 Bailey Rd., Pearland
Sweeny Community Center	205 W Ashley-Wilson Rd, Sweeny
Danbury Community Center	6115 5th St, Danbury
Clute City Hall	108 E. Main, Clute
Jones Creek Comm House	7207 Stephen F. Austin Rd., Jones Creek
Lake Jackson Civic Center	333 Hwy 332 East, Lake Jackson

Richwood City Hall	1800 N Brazosport Blvd, Richwood
Hillcrest Village Municipal Building	200 W Timberlane, Alvin
Westside Event Center	2150 Countryplace Pkwy, Pearland
Mims Community Center	4283 FM 521, Brazoria
Surfside Beach City Hall	1304 Monument Dr, Surfside Beach
Alvin Library	105 S Gordon, Alvin
Courthouse North Annex	7313 Corporate Dr, Manvel
Silverlake Recreation Center	2715 Southwyck Pkwy, Pearland
Tom Reid Library	3522 Liberty Dr, Pearland
Fellowship Bible Church	1720 E Broadway, Pearland
Courthouse West Annex	451 N Velasco, Angleton
Pearland Westside Library	2803 Business Center Dr #101, Pearland

III.

Votaciones anticipadas deben comensar Abril 25, 2016, y terminar Mayo 3, 2016, dichas votaciones anticipadas debran ser llevadas acabo por el Secretario de el Condado de Brazoria, Texas entre las horas de 8:00 a.m. y 5:00 p.m. en los siguientes lugares, desde el Lunes Abril 25, 2016 hasta el Viernes Abril 29, 2016 y entre las horas de 7:00 a.m y 7:00 p.m. el Sabado Abril 30, 2016, el Lunes Mayo 2, 2016 y el Martes Mayo 3, 2016, a saber:

East Annex (Old Walmart)	1524 E Mulberry, Angleton
Alvin Library	105 S. Gordon, Alvin
Brazoria Library	620 S Brooks, Brazoria
Freeport Library	410 Brazosport Blvd., Freeport
Lake Jackson Library	250 Circle Way, Lake Jackson
Courthouse North Annex	7313 Corporate Dr., Manvel
Tom Reid Library	3522 Liberty Dr., Pearland
Westside Event Center	2150 Countryplace Pkwy., Pearland
Pearland Westside Library	2803 Business Center Dr. #101, Pearland
Sweeny Community Center	205 W Ashley Wilson Rd., Sweeny

Testigo a mi firma official a esto puesto el dia \_\_\_\_\_ de \_\_\_\_\_ de el 2016.

---

Norma Moreno Garcia, Alcalde,  
Ciudad de Freeport, Texas

ATTEST:

---

Delia Muñoz, Secretaria de la Ciudad  
Ciudad de Freeport, Texas

ORDINANCE NO. 2016-2110

AN ORDINANCE OF THE CITY OF FREEPORT, TEXAS; CONTAINING A PREAMBLE; AMENDING ORDINANCE NO. 2016-2104, WHICH CALLED A CHARTER AMENDMENT ELECTION FOR SAID CITY ON THE QUESTION OF ADOPTING EIGHT (8) AMENDMENTS TO THE HOME RULE CHARTER OF SAID CITY; AS AMENDED BY ORDINANCE NO. 2016-2106, TO AMEND THE PROVISIONS OF SAID ORDINANCE DESIGNATING POLLING PLACES FOR THE DAY OF SAID ELECTION AND AMENDING THE PROVISIONS OF SAID ORDINANCE DESIGNATING POLLING PLACES FOR EARLY VOTING; PROVIDING FOR RATIFICATION AND CONFIRMATION BY THE MAYOR OF SAID CITY OF THE ACTION TAKEN BY THIS ORDINANCE; AND PROVIDING FOR AN EFFECTIVE DATE OF THIS ORDINANCE.

WHEREAS, on the 1<sup>st</sup> day of February, 2016, the Mayor and City Council of the City of Freeport, Texas, ordered and ordained, respectively, that a general election be held on the second Saturday in May, 2016, being May 7, 2016, throughout said City for the consideration of adopting eight (8) amendments to the home rule charter of the City of Freeport, as more fully appears in Ordinance No. 2016-2104 of said City; and,

WHEREAS, on the 16<sup>th</sup> day of February, 2016, the Mayor and City Council of the City of Freeport, Texas, adopted Ordinance No. 2016-2106 amending Ordinance No. 2016-2104 with respect to the designation of polling places for the day of the election and for early voting; and,

WHEREAS, the City Council of the City of Freeport, Texas, desires to further amend the provisions of said ordinance with respect to the polling places at which electors may vote on Election Day and for early voting.

NOW, THEREFORE, THE MAYOR AND CITY COUNCIL OF THE CITY OF FREEPORT, TEXAS, HEREBY ORDER AND ORDAIN, RESPECTIVELY:

First, Section Three of said Ordinance No. 2016-2104, as amended by Ordinance No. 2016-2106, is hereby further amended to read as follows:

"SECTION THREE--Municipal Polling Places

As provided in the Joint Election Agreement and Contract for Election Services between the City and the County Clerk of Brazoria County, Texas, which is incorporated herein by reference, for the purpose of the election called by this ordinance, there shall be one (1) municipal polling place, located within the City of Freeport located at the Freeport Library, 410 Brazosport Blvd., Freeport, Brazoria County, Texas, where all voters residing with the City shall vote including those residing in Brazoria County Election Precinct 8, on election day. On that day, voting will also be permitted at the following Vote Center Polling Places:



East Annex (Old Walmart)	1524 E Mulberry, Angleton
Ryan Center	2925 South Bypass 35, Alvin
Brazoria Library	620 S Brooks, Brazoria
Liverpool City Hall	8901 CR 171, Liverpool
Freeport Library	410 N. Brazosport Boulevard
Drainage District #4 Building	4807 W Broadway, Pearland
Turner High School	4717 Bailey Rd., Pearland
Sweeny Community Center	205 W Ashley-Wilson Rd, Sweeny
Danbury Community Center	6115 5 <sup>th</sup> St, Danbury
Clute City Hall	108 E. Main, Clute
Jones Creek Community House	7207 Stephen F. Austin Rd., Jones Creek
Lake Jackson Civic Center	333 Hwy 332 East, Lake Jackson
Richwood City Hall	1800 N Brazosport Blvd, Richwood
Hillcrest Village Municipal Building	200 W Timberlane, Alvin
Westside Event Center	2150 Countryplace Pkwy, Pearland
Mims Community Center	4283 FM 521, Brazoria
Surfside Beach City Hall	1304 Monument Dr, Surfside Beach
Alvin Library	105 S Gordon, Alvin
Courthouse North Annex	7313 Corporate Dr, Manvel
Silverlake Recreation Center	2715 Southwyck Pkwy, Pearland
Tom Reid Library	3522 Liberty Dr, Pearland
Courthouse West Annex	451 N Velasco, Angleton
Fellowship Bible Church	1720 E. Broadway, Pearland
Pearland Westside Library	2803 Business Center Dr #101, Pearland

Second, Section Six of said Ordinance No. 2016-2104, is hereby amended to read as follows:

SECTION SIX--Early Voting.

Early voting shall begin on April 25, 2016, and end on May 3, 2016, such early voting to be conducted by the County Clerk of Brazoria County, Texas, at the following locations between the hours of 8:00 a.m. and 5:00 p.m., Monday April 25, 2016, through Friday, May April 29, 2016, and between the hours of 7:00 a.m. through 7:00 p.m. on Saturday, April 30, Monday, May 2, and Tuesday, May 3, 2016:

East Annex (Old Walmart)	1524 E Mulberry #144, Angleton
Alvin Library	105 S. Gordon, Alvin
Brazoria Library	620 S Brooks, Brazoria
Freeport Library	410 Brazosport Blvd., Freeport
Lake Jackson Library	250 Circle Way, Lake Jackson
Courthouse North Annex	7313 Corporate Dr, Manvel
Tom Reid Library	3522 Liberty Dr, Pearland
Westside Event Center	2150 Countryplace Pkwy, Pearland
Pearland Westside Library	2803 Business Center Dr #101, Pearland
Sweeny Community Center	205 W. Ashley Wilson Rd., Sweeny

Third, in the event any section or provision of this ordinance is found to be unconstitutional, void or inoperative by the final judgment of a court of competent jurisdiction, such defective provision, if any, is hereby declared to be severable from the remaining sections and provisions of this ordinance and such remaining sections and provisions shall remain in full force and effect.

Fourth, by signing this ordinance, the undersigned Mayor of the City hereby ratifies and confirms as his action all matters hereinabove recited which by law come within his jurisdiction.

Fifth, this ordinance shall take effect and be in force from and after its passage and adoption.

READ, PASSED AND ADOPTED this \_\_\_\_\_ day of \_\_\_\_\_, 2016.

\_\_\_\_\_  
 Norma Moreno Garcia, Mayor  
 City of Freeport, Texas

ATTEST:

\_\_\_\_\_  
 Delia Munoz, City Clerk  
 City of Freeport, Texas

APPROVED AS TO FORM ONLY:

\_\_\_\_\_  
 Wallace Shaw, City Attorney

City of Freeport, Texas

C:\Freeport.Elc\2016 CHARTER ELECTION ORD-Amn3

NOTICE OF CHARTER AMENDMENT ELECTION

TO: ALL PERSONS ENTITLED TO VOTE UNDER THE PROVISIONS OF CHAPTER 11 OF TITLE 2 OF THE TEXAS ELECTION CODE WHO ARE RESIDENTS OF THE CITY OF FREEPORT, TEXAS, AND ARE DULY REGISTERED TO VOTE IN THE PRECINCT WHERE AND ON THE DAY ON WHICH THEY VOTE, GREETINGS:

You will take notice that a charter amendment election will be held in and throughout the City of Freeport, Texas, on the first Saturday in May, 2016, being May 7, 2016, between the hours of 7:00 a.m. and 7:00 p.m. for the purpose of submitting to the voters of the City six (6) amendments to the Home Rule Charter of said City proposed by the Charter Review Commission thereof, being substantially as proposed by said Commission, viz:

AMENDMENT NUMBER ONE

Should the first unnumbered paragraph of Section 3.02. Qualifications of the Home Rule Charter be amended to increase the residency requirement for election to the office of Mayor and City Council Members from twelve (12) months to twenty-four (24) months?

If this amendment is adopted, the first unnumbered paragraph of Section 3.02. Qualifications of the Home Rule Charter of the City will be amended to read:

"The Mayor and each member of the City Council shall be a registered voter and a resident citizen of the City of Freeport for at least twenty-four (24) consecutive months and, in the case of members of City Council other than the Mayor, a resident of the Ward sought to be represented for at least six (6) consecutive months, immediately preceding his or her application to have his or her name placed on the official ballot and the filing of proof of his or her qualifications as required by law."

AMENDMENT NUMBER TWO

Should the third unnumbered paragraph of Section 3.02. Qualifications of the Home Rule Charter be amended to require that a written excuse for missing a regularly scheduled meeting be filed or sent to the Mayor or Mayor Pro Temp before the missed meeting and approved by the City Council at its next regular meeting.

If this amendment is adopted, the third unnumbered paragraph of Section 3.02. Qualifications of the Home Rule Charter of the City will be amended to read:

"If any such officer shall fail to maintain the foregoing residence qualifications during his or her term of office or shall be absent from three (3) consecutive regularly scheduled meetings of the City Council without a valid written excuse filed with the Mayor or Mayor Pro Temp or sent to either of them by e-mail or text message before the missed meeting and approved by the City Council at its next regularly scheduled meeting, or fail to attend at least eighty (80%) percent of the regularly scheduled meetings of the City Council during any fiscal year, without a valid excuse approved by the City Council, the City Council must at its next regularly scheduled meeting declare a vacancy to exist in the office held by such officer and shall fill such vacancy as set forth in Section 3.06 of this Charter."

#### AMENDMENT NUMBER THREE

Should Section 4.08 of the Home Rule Charter be amended to change the name of the Fire Department to the Fire and E.M.S. Department?

If this amendment is adopted, Section 4.08. Fire Department of the Home Rule Charter of the City will be amended to read:

#### "Section 4.08. FIRE AND E.M.S. DEPARTMENT

For the protection of property and lives within the city, there is hereby established and there shall be maintained by the city a department to be known as the Freeport Fire and E.M.S. ("Emergency Medical Service")."

#### AMENDMENT NUMBER FOUR

Should Section 5.05 of the Home Rule Charter be amended to substitute election by a ~~majority~~ rather than a ~~plurality~~ and to provide for a runoff election?

If this amendment is approved, Section 5.05 Election by Plurality of the Home Rule Charter of the City shall be amended to read as follows:

#### ~~Section 5.05 ELECTION BY MAJORITY~~

Election to office shall be by majority with the candidate receiving a majority of the number of votes (if otherwise qualified) being deemed elected to office. If no candidate gains a majority of the votes, the city council shall cause to be held a runoff election between the two (2) candidates with the most votes to be held during the same calendar year and on a day permitted by the Texas Election Code. In the event of a tie at any election, lots shall be cast to determine a winner in accordance with the Texas Election Code..

#### AMENDMENT NUMBER FIVE

Should a new Section 5.10 be added to the Home Rule Charter limiting any elected officer of the City from hereafter being elected to the same

office for more than three (3) consecutive terms?

If this amendment is approved, the Home Rule Charter of the City shall be amended to add a new Section 5.10 Limitation on Consecutive Terms which shall read as follows:

**Section 5.10 Limitation on Consecutive Terms of Office**

No person shall be eligible to become a candidate for election to the same office for more than three (3) consecutive terms. Provided, however, the previous terms to which any person holding an elective office on the date this provision becomes effective shall not be counted.

**AMENDMENT NUMBER SIX**

Should Section 9.06. Notice of Public Hearing on Budget of the Home Rule Charter be amended to require publication in both English and Spanish and in a newspaper of general circulation within the City?

If this amendment is adopted, Section 9.06 Notice of Public Hearing on the Budget of the Home Rule Charter of the City will be amended to read:

"Section 9.06 Notice of Public Hearing on Budget

At the meeting of the City Council at which the budget is submitted, the City Council shall fix the time and place of a public hearing on the budget and shall cause to be published in both English and Spanish and in a newspaper of general circulation within the City of Freeport, a notice thereof setting forth the time and place of such hearing at least fifteen (15) days before the date thereof; and such notice shall also be maintained on the City's website until after the date of such hearing."

**AMENDMENT NUMBER SEVEN**

Should Section 10.07 Consent of Property Owners of the Home Rule Charter be amended to require the abutting and adjacent property to be restored to its previous condition when any public utility is constructed, extended, maintained or operated?

If this amended is adopted, Section 10.07 Consent of Property Owners of the Home Rule Charter of the City shall be amended to read:

"Section 10.07 Consent of Property Owners

The consent of abutting and adjacent property owners shall not be required for the construction, extension, maintenance or operation of any public utility; but such abutting and adjacent property shall thereafter be restored to its previous condition and nothing in this Charter or in any franchise granted hereunder shall ever be construed to deprive any such property owner of any right of action for damage or injury to his or her property as now or hereafter provided by law."

AMENDMENT NUMBER EIGHT

Should Section 11.011 Selection of Newspaper for Publication of the Home Rule Charter of the City be amended to require that every ordinance or resolution of the City required or permitted to be published in a newspaper shall appear on the City's website for at least ten (10) days or for the length of time between each publication, if it is required to be published more than once, whichever is longer?

If this amendment is approved, Section 11.011 Selection Of Newspaper for publication, Subsection (a), of the Home Rule Charter shall be amended to read as follows:

" (a) Every ordinance or resolution adopted by the City Council, which is required or permitted to be published in a newspaper, shall designate, in the body thereof, one or more newspapers of general circulation within the City of Freeport in which such ordinance or resolution, or the descriptive caption thereof, shall be published; and it shall also appear on the City's website for at least ten (10) days or for the length of time between each publication, if it is required to be published more than once, whichever is longer."

As provided in the Joint Election Agreement and Contract for Election Services between the City and the County Clerk of Brazoria County, Texas, there shall be one (1) municipal polling place for said election, located within the City of Freeport located at the Freeport Library, 410 Brazosport Blvd., Freeport, Brazoria County, Texas, where all voters residing within the City shall vote including those residing in Brazoria County Election Precinct 8, on election day. On that day, voting will also be permitted at the following Polling Places:

East Annex (Old Walmart)	1524 E Mulberry, Angleton
Ryan Center	2925 South Bypass 35, Alvin
Brazoria Library	620 S Brooks, Brazoria
Liverpool City Hall	8901 CR 171, Liverpool
Freeport Library	410 N. Brazosport Boulevard
Drainage District #4 Building	4807 W Broadway, Pearland
Turner High School	4717 Bailey Rd., Pearland
Sweeny Community Center	205 W Ashley-Wilson Rd, Sweeny

Danbury Community Center	6115 5 <sup>th</sup> St, Danbury
Clute City Hall	108 E. Main, Clute
Jones Creek Community House	7207 Stephen F. Austin Rd., Jones Creek
Lake Jackson Civic Center	333 Hwy 332 East, Lake Jackson
Richwood City Hall	1800 N Brazosport Blvd, Richwood
Hillcrest Village Municipal Building	200 W Timberlane, Alvin
Westside Event Center	2150 Countryplace Pkwy, Pearland
Mims Community Center	4283 FM 521, Brazoria
Surfside Beach City Hall	1304 Monument Dr, Surfside Beach
Alvin Library	105 S Gordon, Alvin
Courthouse North Annex	7313 Corporate Dr, Manvel
Silverlake Recreation Center	2715 Southwyck Pkwy, Pearland
Tom Reid Library	3522 Liberty Dr, Pearland
Courthouse West Annex	451 N Velasco, Angleton
Fellowship Bible Church	1720 E. Broadway, Pearland
Pearland Westside Library	2803 Business Center Dr #101, Pearland

Early voting shall begin on April 25, 2016, and end on May 3, 2016, such early voting to be conducted by the County Clerk of Brazoria County, Texas, at the following locations between the hours of 8:00 a.m. and 5:00 p.m., Monday April 25, 2016 through Friday, April 29, 2016, and between the hours of 7:00 a.m. through 7:00 p.m. on Saturday, April 30, Monday, May 2, and Tuesday, May 3, 2016, to-wit:

East Annex (Old Walmart)	1524 E Mulberry # 144, Angleton
Alvin Library	105 S. Gordon, Alvin
Brazoria Library	620 S Brooks, Brazoria
Freeport Library	410 Brazosport Blvd., Freeport
Lake Jackson Library	250 Circle Way, Lake Jackson
Courthouse North Annex	7313 Corporate Dr, Manvel
Tom Reid Library	3522 Liberty Dr, Pearland



Westside Event Center  
Pearland Westside Library  
Sweeny Community Center

2150 Countryplace Pkwy, Pearland  
2803 Business Center Dr #101, Pearland  
205 W. Ashley Wilson Rd., Sweeny

WITNESS MY OFFICIAL SIGNATURE HEREUNTO AFFIXED this \_\_\_\_ day of

\_\_\_\_\_, 2016.

\_\_\_\_\_  
Norma Moreno Garcia, Mayor,  
City of Freeport, Texas

ATTEST:

\_\_\_\_\_  
Delia Muñoz, City Secretary  
City of Freeport, Texas

MAYOR'S RETURN

I certify that on the \_\_\_\_ day of \_\_\_\_\_, 2016 I posted a true and correct copy of the foregoing "Notice of Charter Amendment Election", on the bulletin board located at the Freeport City Hall used for posting notices of meetings of the City Council, such day being more than twenty-one (21) days prior to said election.

\_\_\_\_\_  
Norma Moreno Garcia, Mayor  
City of Freeport, Texas

CITY SECRETARY'S RETURN

I hereby certify that I caused a copy the above and foregoing "Notice of Charter Amendment Election" to be published in the Brazosport Facts, heretofore designated as the official newspaper of the City of Freeport, Texas, it being a newspaper published in the adjoining City of Clute, in Brazoria County, Texas, which meets all of the criteria set forth in Section 2051.044 of the Government Code, and has general circulation in the City of Freeport. I requested that such publication in such newspaper be on the same day in each of two (2) successive weeks, with the first publication occurring before the fourteenth (14th) day before the date hereinabove fixed for the holding of said charter election. I did not cause a copy the above and foregoing "Notice of Charter Amendment Election" to be published in the Freeport Sentinel, a newspaper previously published in the City of Freeport, Texas, having general circulation therein, but which newspaper does not appear to meet all of the criteria set forth in Section 2051.044 of the Government Code whereas Section 9.004(c) of the Local Government Code requires that a notice of a charter amendment election be published in a newspaper of general circulation published in the municipality calling such election, because it has ceased publication.

WITNESS my official signature and the seal of said City hereunto affixed this \_\_\_\_ day of \_\_\_\_\_, 2016.

\_\_\_\_\_  
Delia Muñoz, City Secretary  
City of Freeport, Texas

AVISO DE ELECCION DE ENMIENDAS A FLETAMENTO

PARA: TODAS LAS PERSONAS CON DERECHO AL VOTO BAJO LAS PROVISIONES DE EL CAPITULO 11 DE EL TITULO 2 DE EL CODIGO DE ELECCION DE TEXAS QUE SON RESIDENTES THE LA CIUDAD DE FREEPORT TEXAS Y QUE ESTAN DEBIDAMENTE REGISTRADOS PARA VOTAR EN EL RECINTO DONDE Y EN EL DIA QUE VOTEN, SALUDOS:

Este es un aviso de que la eleccion para enmendar el fletamento se llevara acabo en y a lo largo de la Ciudad de Freeport, Texas, el Primer Sabado en Mayo, 2016, que es Mayo 7, 2016, entre las horas de 7:00 a.m. y 7:00 p.m. con el proposito de someter a los votantes de la Ciudad ocho (8) enmiendas a el Fletamento de la Ciudad propuestas por la Commission de Revision del Fletamento del mismo, siendo sustancialmente propuesto por dicha commission, a saber:

ENMIENDA NUMERO UNO

Debe el primer parrafo sin numero de la Seccion 3.02 Calificaciones de el Fletamento de La Ciudad ser corregida para incrementar los requerimientos residenciales para la eleccion para el puesto de Alcalde y para el puesto de miembros de el Consejo Municipal de doce (12) meses a veinti-cuatro (24) meses?

Si esta enmienda es adoptada, el primer parrafo sin numero de la Seccion 3.02 Calificaciones de el Fletamento de la Ciudad debera ser corregida para leer de la siguiente manera:

"El Alcalde y cada miembro de el Consejo Municipal de la Ciudad debe ser un votante registrado y un residente de la Ciudad de Freeport por lo menos veinti-cuatro (24) meses consecutivos y, en el caso de los miembros de el Consejo Municipal de la Ciudad que no sea el Alcalde, ser residente de el recinto para el cual busca ser representante por los menos seis (6) meses consecutivos, inmediatamente antes de que su aplicacion para poner su nombre en la boleta de votacion y la presentacion de la prueba de su cualificaciones como exige la ley ."

ENMIENDA NUMERO DOS

Debe el tercer parrafo sin numero de la seccion 3.02 Calificaciones de el Fletamento de La Ciudad ser corregida para requerir que una excusa por escrito para estar ausente de una junta regular de la Ciudad sea archivada o mandada a el Alcalde o al Alcalde Temporal antes de la junta perdida y ser aprobada por el Consejo Municipal de la Ciudad en la proxima junta regular.

Si esta enmienda es adoptada, el tercer parrafo sin numero de la Seccion 3.02 Calificaciones de el Fletamento de La Ciudad debera ser corregida para leer de la siguiente manera:

"Si algun funcionario falla en mantener las calificaciones de residencia anteriores durante su puesto o debe estar ausente de tres (3) juntas regulares consecutivos de el Consejo Municipal de la Ciudad sin una excusa por escrito archivada con el Alcalde o el Alcalde Temporal o enviada por texto o correo electronic antes de perder la Junta y ser aprobado por el Consejo Municipal de la Ciudad en la proxima Junta, o fallar en atender por lo menos ochenta por ciento(80%) de las juntas regulares de el

Consejo Municipal de la Ciudad durante un año fiscal, sin una excusa valida aprovada por el Consejo Municipal de la Ciudad, el Consejo Municipal debe en su proxima junta declarar una vacancia en el puesto de dicho funcionario y debe llenar la vacancia como se indica en la Seccion 3.06 de este fletamento."

#### ENMIENDA NUMERO TRES

Debe la seccion 4.08 de el Fletamento de la Ciudad ser corregida para cambiar el nombre de el Departamento de Bomberos a Departamento de Bomberos y E.M.S?

Si esta enmienda es adoptada, la Seccion 4.08 Departamento de Bomberos de el Fletamento de la Ciudad sera corregida para leer de la siguiente manera:

"Seccion 4.08 Departemnto de Bomberos y E.M.S

Para la proteccion de la propiedad y la vida dentro de la Ciudad Se establecera y se mantendra por la Ciudad un departamento a ser conocido como, Freeport Fire and E.M.S. (Servicio de Emergencia Medica)."

#### ENMIENDA NUMERO CUATRO

Debe la seccion 5.05 de el Fletamento de La Ciudad ser corregida para substituir eleccion por "Mayoreo" en vez de "pluralidad" y para proveer una segunda vuelta electoral?

Si esta enmienda es adoptada, la seccion 5.05 Eleccion por Mayoreo de el Fletamento de la Ciudad debera ser corregida para leera de la siguiente manera:

"SECCION 5.05 ELECCION POR MAYOREO

La eleccion para un puesto debe ser por mayoreo donde el candidato que reciva el mayor numero de votos (si califica) sea nombrado para el puesto. Si ningun candidate recibe el mayoreo de votos, el consejo municipal de la Ciudad debe realizar una segunda vuelta electoral entre los dos (2) candidates con el mayor numero de votos que se llevara acabo durante el mismo año y en el dia permitido por elCodigo de Eleccion de Texas. En el evento de que haiga un empate en cualquier eleccion, Suertes seran echadas para determinar un ganador de acuerdo alCodigo de Eleccion de Texas."

#### ENMIENDA NUMERO CINCO

Debe la seccion 5.10 ser agregada a el Fletamento de La Ciudad limitando a cualquier official eleccionado de la Ciudad a ser elejido a la misma posicion por mas de tres (3) años consecutivos?

Si esta enmienda es adoptada, el Fletamento de la Ciudad debera ser corregido para agregar una nueva seccion 5.10 Limitaciones de Terminos Consecutivos que debera leer de la siguiente manera:

"Seccion 5.10 Limitacion en Terminos de Oficina Consecutivos

Ninguna persona será elegible para ser candidato a las elecciones para el mismo cargo por más de tres (3) periodos consecutivos. Disponiéndose, sin embargo, los términos anteriores a la que toda persona que ocupe un cargo electivo en la fecha de esta disposición ses efectiva no serán contados."

ENMIENDA NUMERO SEIS

Debe la seccion 9.06 Notificacion de Junta Publica acerca de el presupuesto de el Fletamento de la Ciudad ser corregida para requerir publicacion en ingle y en español y en el periodico the circulacion general de la Ciudad?

Si esta enmienda es adoptada, la Seccion 9.06 Notificacion de Junta Publica acerca de el presupuesto de el Fletamento de la Ciudad sera corregida para leer de la siguiente manera:

"Seccion 9.06 Notificacion de Junta Publica acerca de el presupuesto

En la junta the el Consejo Municipal de la Ciudad en cual se somete el presupuesto, el Consejo Municipal de la Ciudad debe poner la hora y el lugar de la junta publica acerca de el presupuesto y debe publicarlo en ingles y en espanol en un peridodico de circulacion general de la Ciudad de Freeport, debe dar un aviso donde diga el horario y lugar de dicha junta por lo menos quince (15) dias antes de dicha fecha; y dicho aviso debe ser publicado en el citio de interenet de la Ciudad hasta despues de dicha junta."

ENMIENDA NUMERO SIETE

Debe la seccion 10.07 Consentimiento para Propietarios de el Fletamento de la Ciudad ser corregida para requerir que la propiedad colindante y vecina a ser restaurada a su estado anterior cuando se construye cualquier utilidad pública , extendida, mantanida u operada?

Si esta enmienda es adoptada, la Seccion 10.07 Consentimiento para Propietarios de le Fletamento de la Ciudad sera corregida para leer de la siguiente manera:

"Seccion 10.07 Consentimiento para Propietarios

El consentimiento de propietarios vecinos y colindantes no debera ser requerido para la construccion, extension, mantenimiento u operacion de cualquier utilidad publica; pero dicha propiedad vecina y colindante debera ser restaurada a su previa condicion y nada en este fletamento en cualquier franquicia otorgada en virtud del presente jamás se interpretará para privar a cualquier dueño de la propiedad de cualquier derecho de acción por daños o lesiones a su propiedad como ahora o en el futuro previsto por la ley."

ENMIENDA NUMERO OCHO

Debe la seccion 11.011 Seleccion de Periodico para Publicacion de el Fletamento de la Ciudad ser corregida para requerir que todas las ordenansas y resoluciones de la Ciudad que requieren ser publicadas en un periodoc deben apareser en la pagina de internet de la Ciudad por lo menos diez (10) dias o por el period de tiempo entre publicaciones, si es requerido que se publique mas de una vez, el period que sea mas largo?

Si esta enmienda es adoptada, la Seccion 11.011 Seleccion de Periodico para la Publicacion, subseccion (a), de el Fletamento de la Ciudad sera corregida para leer de la siguiente manera:

"(a) Todas las ordenansas o resoluciones adoptadas por el Consejo Municipal de la Ciudad, que requieran or permitan ser publicadas en un periodico, deben designer, en su contenido, uno o mas periodicos de circulacion general en la Ciudad de Freeport in cual dicha ordenansa o resolucion, o la capcion descriptive, deben ser publicados; y deben tambien apareser en la pagina de internet de la Ciudad por lo menos diez (10) dias o por el period entre cada publicacion, si es requerido que se publique mas de una vez, el period que sea mas largo."

Conforme lo dispuesto en el acuerdo de eleccion conjunta y en el contrato de servicios de eleccion entre la Ciudad y el Secretario del Condado de Brazoria, Texas, debera haber un (1) lugare de votacion municipal para dicha eleccion, dentro de la Ciudad de Freeport localizado en la Biblioteca de Freeport, 410 Brazosport Blvd., Freeport, Texas, donde todos los votantes que viven dentro de la Ciudad deben votar el dia de eleccion, inlcuyendo a los que viven en el Condado de Brazoria distrito electoral 8. En este dia tambien se permitiran las votaciones en los siguientes lugares:

East Annex (Old Walmart)	1524 E Mulberry, Angleton
Ryan Center	2925 South Bypass 35, Alvin
Brazoria Library	620 S Brooks, Brazoria
Liverpool City Hall	8901 CR 171, Liverpool
Freeport Library	430 North Brazosport Boulevard
Drainage District #4 Building	4807 W Broadway, Pearland
Turner High School	4717 Bailey Rd., Pearland
Sweeny Community Center	205 W Ashley-Wilson Rd, Sweeny
Danbury Community Center	6115 5 <sup>th</sup> St, Danbury
Clue City Hall	108 E. Main, Clute
Jones Creek Comm House	7207 Stephen F. Austin Rd., Jones Creek
Lake Jackson Civic Center	333 Hwy 332 East, Lake Jackson
Richwood City Hall	1800 N Brazosport Blvd, Richwood
Hillcrest Village Municipal Building	200 W Timberlane, Alvin
Westside Event Center	2150 Countryplace Pkwy, Pearland
Mims Community Center	4283 FM 521, Brazoria

Surfside Beach City Hall	1304 Monument Dr, Surfside Beach
Alvin Library	105 S Gordon, Alvin
Courthouse North Annex	7313 Corporate Dr, Manvel
Silverlake Recreation Center	2715 Southwyck Pkwy, Pearland
Tom Reid Library	3522 Liberty Dr, Pearland
Courthouse West Annex	451 N Velasco, Angleton
Fellowship Bible Church	1720 E Broadway, Pearland
Pearland Westside Library	2803 Business Center Dr #101, Pearland

Votaciones anticipadas deben comensar Abril 25, 2016, y terminar Mayo 3, 2016 dichas votaciones anticipadas debran ser llevadas acabo por el Secretario de el Condado de Brazoria, Texas en los siguientes lugares entre las horas de 8:00 a.m. y 5:00 p.m., desde el Lunes Abril 25, 2016 hasta el Viernes Abril 29, 2016 y entre las horas de 7:00 a.m y 7:00 p.m. el Sabado Abril 30, 2016, el Lunes Mayo 2, 2016 y el Martes Mayo 3, 2016, a saber:

East Annex (Old Walmart)	1524 E. Mulberry, Angleton
Alvin Library	105 S. Gordon, Alvin
Brazoria Library	620 S Brooks, Brazoria
Freeport Library	410 Brazosport Blvd., Freeport
Lake Jackson Library	250 Circle Way, Lake Jackson
Courthouse North Annex	7313 Corporate Dr., Manvel
Tom Reid Library	3522 Liberty Dr., Pearland
Westside Event Center	2150 Countryplace Pkwy., Pearland
Pearland Westside Library	2803 Business Center Dr. #101, Pearland
Sweeny Community Center	205 W Ashley Wilson Rd., Sweeny

Testigo a mi firma official a esto puesto el dia \_\_\_\_\_ de \_\_\_\_\_ de el 2016.

\_\_\_\_\_  
Norma Moreno Garcia, Alcalde,  
Ciudad de Freeport, Texas

ATTEST:

\_\_\_\_\_  
Delia Muñoz, Secretaria de la Ciudad  
Ciudad de Freeport, Texas

ORDINANCE NO. 2016-2111

AN ORDINANCE OF THE CITY OF FREEPORT, TEXAS, CONTAINING A PREAMBLE; CONTAINING FINDINGS OF FACTS; AMENDING THE BUDGET FOR THE FISCAL YEAR 2015-2016; CONTAINING SAVINGS CLAUSES; CONTAINING A SEVERANCE CLAUSE; AND PROVIDING THAT THIS ORDINANCE SHALL TAKE EFFECT AND BE IN FORCE FROM AND AFTER ITS PASSAGE AND ADOPTION.

WHEREAS, pursuant to the provisions of Subsection (a) of Section 102.007 of Chapter 102 of the Local Government Code and the provisions of Article 9 of the Home Rule Charter of the City of Freeport (hereinafter sometimes "the City"), the budget for the 2015-2016 fiscal year of the City was finally approved by the City Council, being the governing body thereof, by its Ordinance No. 2015-2093, read, passed and adopted on the 14<sup>th</sup> day of September, 2015, (hereinafter sometimes "the Budget"); and,

WHEREAS, Subsection (b) of Section 102.009 of the Local Government Code provides that, after final approval of the budget, the governing body of a municipality may spend municipal funds only in strict compliance with the budget, except in an emergency, but Section 102.010 of said Code provides that the provisions of Chapter 102 thereof do not prevent the governing body of such municipality from making changes in the budget for municipal purposes; and

WHEREAS, Subsection (c) of Section 102.009 of said Code provides that the governing body of a municipality may authorize an expenditure as an amendment to the original budget only in the case of grave public necessity to meet an unusual and unforeseen condition that could not have been included in the original budget through the use of reasonably diligent thought and attention; and,



WHEREAS, Section 9.16 of the City's Home Rule Charter provides that the budget may be amended and appropriations altered in accordance therewith in cases of public necessity, the actual fact of which shall have been declared by the City Council; and,

WHEREAS, the adoption of this ordinance and the amendment of the Budget is necessary for and in the best interest of the health, safety and general welfare of the inhabitants of the City.

NOW, THEREFORE, BE IT ORDAINED BY THE CITY COUNCIL OF THE CITY OF FREEPORT, TEXAS:

SECTION ONE (1): FINDINGS OF FACT

In connection with the amendment and revision of the Budget, the City Council of the City makes the following findings:

(1) The amendments and revisions set forth in the Budget were the result of numerous public workshop meetings called and conducted in the manner required by the Texas Open Meetings Act, codified as Chapter 551, Government Code.

(2) A public hearing was held on the Budget on September 14, 2015, and conducted in the manner required by Section 102.006 of the Local Government Code and the City's Home Rule Charter.

(3) Notice of such public hearing was published in the Brazosport Facts, a newspaper of general circulation in and the official newspaper of the City in the manner and time required by Chapter 102 of said Code and the City's Home Rule Charter.

(4) A grave public necessity exists and to meet an unusual and unforeseen conditions that could not have been included in the original budget through the use of reasonably diligent thought and attention and the Budget must be amended and revised with respect of the new or additional expenditures set forth in Exhibit "A" attached hereto and made a part hereof, such unusual and unforeseen conditions also being set forth in said Exhibit "A".

(5) The proposed changes are set forth in Exhibit "A" attached hereto and made a part hereof.

(6) All of the changes set forth in Exhibit "A" are for municipal purposes.

(7) The several amounts stated in Exhibit "A" as the amended or revised expenditures are hereby appropriated to and for the objects and purposes therein named.

(8) The contingent appropriations, as amended and revised in said Exhibit "A", do not exceed three (3%) percent of the total amended and revised budget appropriations reflected therein.

(9) The amended and revised expenditures of the general fund and the debt service fund contained in the Budget, as amended by said Exhibit "A", do not exceed the resources of each fund, as amended and revised.

SECTION ONE (2):

The budget of the City of Freeport, Texas, for the fiscal year 2015-2016 is hereby amended and revised as reflected in said Exhibit "A".

SECTION THREE (3):

As required by Subsections (c) and (d) of Section 102.009 of the Local Government Code, upon the passage and adoption of this ordinance, the amended and revised budget adopted hereby shall be filed with the City Secretary of the City to be maintained in the official records of the City, and a certified copy of this ordinance, with Exhibit "A" attached thereto, shall be filed by the City Secretary with the County Clerk of Brazoria County, Texas, and the State Comptroller of Public Accounts for the State of Texas.

SECTION FOUR (4):

Nothing contained in this ordinance shall cause any rights heretofore vested to be altered, affected or impaired in any way and all such rights may be hereafter enforced as if this ordinance had not been adopted.

SECTION FIVE (5):

In the event any section or provision of this ordinance is found to be unconstitutional, void or inoperative by the final judgment of a court of competent jurisdiction, such defective provision, if any, is hereby declared to be severable from the remaining sections and provisions of this ordinance and such remaining sections and provisions shall remain in

full force and effect.

SECTION SIX (6):

This ordinance shall take effect and be in force from and after its passage and adoption.

READ, PASSED AND ADOPTED this \_\_\_\_\_ day of \_\_\_\_\_, 2016.

---

Norma Moreno Garcia, Mayor,  
City of Freeport, Texas

ATTEST:

---

Delia Muñoz, City Secretary,  
City of Freeport, Texas

APPROVED AS TO FORM ONLY:

---

Wallace Shaw, City Attorney,  
City of Freeport, Texas

C:\Freeport.Bud\2015-2016 Bud Amnd#1-Ord



200 West 2nd Street  
Freeport, TX 77541  
PH: (979) 233-3526  
FX: (979) 373-0113

# Council

## MEMORANDUM

**To:** Mayor and Council  
**From:** Bob Welch  
**Re:** Request for Amendment of Budgeted Funds # 1  
**Date:** March 21, 2016

We are requesting the following amendments to the 2015-2016 Budget:

BUDGET AMENDMENTS	ACCT#	ACCOUNT DESCRIPTION	BUDGET AMENDMENTS	
			DEBITS	CREDITS
1 POLICE-OTHER ELECTRONICS MISC. INCOME ADJUST BUDGET TO RECORD LOST EQUIPMENT REIMBURSEMENT	10-525-320 10-360-101	POLICE-OTHER ELECTRONICS MISC. INCOME	600	600
2 POLICE-OTHER SUPPLIES MISC. DONATIONS RECORD DONATIONS FOR NATIONAL NIGHT OUT	10-525-399 10-360-920	POLICE-OTHER SUPPLES MISC. DONATIONS	600	600
3 POLICE-VEHICLE MAINTENANCE POLICE-SALE OF EQUIPMENT RECORD SALE OF EQUIPMENT AT RENE BATES AUCTION	10-525-524 10-361-525	POLICE-VEHICLE MAINTENANCE POLICE-SALE OF EQUIPMENT	272	272
4 POLICE-LOCAL NARCOTICS COURT REVENUE RECORD BCSO STATE EQUITY SHARING FUNDS RECEIVED	10-525-620 10-350-100	POLICE-LOCAL NARCOTICS COURT REVENUE	730	730
5 POLICE CAPITAL GRANT REVENUE RECORD FEMA 2014 PORT SECURITY GRANT - PROJECT SUPPORT	10-525-899 10-360-400	POLICE CAPITAL GRANT REVENUE	24,450	18,337
6 VEOLIA OTHER INCREASE BUDGET FOR ZACHRY SERVICE METER-RECEIVED FUNDS FROM ZACHRY ON 7-29-15	56-565-498	VEOLIA OTHER	30,007	
7 POLICE-LOCAL NARCOTICS POLICE SEIZURES RECORD FUNDS RECEIVED FORM BRAZORIA CO. NARCOTICS TASK FORCE	10-525-620 10-362-525	POLICE LOCAL NARCOTICS POLICE SEIZURES	50,884	50,884
8 POLICE-ADVERTISING MISC. DONATIONS RECORD DONATION FROM FOSTER FENCE LTD	10-525-430 10-360-400	POLICE-ADVERTISING MISC. DONATIONS	125	125
9 POLICE- FEDERAL NARCOTICS CARRYOVER OF FEDERAL NARCOTICS FUNDS RECEIVED LAST YEAR TO CURRENT BUDGET	10-525-619	POLICE-FEDERAL NARCOTICS	29,001	

EXHIBIT A (1)

10	<i>POLICE-SEMINARS/DUES/TRAVEL CARRYOVER OF LEOS TRAINING GRANT FUNDS RECEIVED LAST YEAR TO CURRENT BUDGET</i>	10-525-602	<i>POLICE-SEMINARS/DUES/TRAVEL</i>	2,379	
11	<i>MUSEUM EXPANSION EXPENSE CARRYOVER DONATIONS AND BUILDING RENTS RECEIVED LAST YEAR TO CURRENT BUDGET</i>	10-578-485	<i>MUSEUM EXPANSION EXPENSE</i>	31,945	
12	<i>POLICE-ELECTRONICS</i>	10-525-543	<i>POLICE-ELECTRONICS</i>	6,500	
	<i>POLICE-OTHER ELECTRONICS</i>	10-525-320	<i>POLICE-OTHER ELECTRONICS</i>	1,000	
	<i>POLICE-VEHICLE MAINTENANCE</i>	10-525-524	<i>POLICE-VEHICLE MAINTENANCE</i>	5,143	
	<i>POLICE-SALE OF EQUIPMENT</i>	10-361-525	<i>POLICE-SALE OF EQUIPMENT</i>		12,643
	<i>RECORD SALE OF EQUIPMENT AT RENE BATES AUCTION</i>				

**SUMMARY EFFECT ON GOVERNMENTAL FUNDS:**

BUDGET ADJUSTMENTS	ACCT#	CURRENT BUDGET		AMENDED	
		BUDGET	BUDGET	BUDGET	
<i>POLICE-OTHER ELECTRONICS</i>	10-325-320		11,700	1,600	13,300
<i>MISC. INCOME</i>	10-360-101		-34,291	-600	-34,891
<i>POLICE-OTHER SUPPLIES</i>	10-525-399		12,700	600	13,300
<i>MISC. DONATIONS</i>	10-360-920		0	-725	-725
<i>POLICE-VEHICLE MAINTENANCE</i>	10-525-524		25,000	5,415	30,415
<i>POLICE-SALE OF EQUIPMENT</i>	10-361-525		0	-12,915	-12,915
<i>POLICE-LOCAL NARCOTICS</i>	10-525-620		6,000	51,614	57,614
<i>COURT REVENUE</i>	10-350-100		-262,363	-730	-263,093
<i>POLICE CAPITAL</i>	10-525-899		312,950	24,450	337,400
<i>GRANT REVENUE</i>	10-360-400		0	-18,337	-18,337
<i>POLICE SEIZURES</i>	10-362-525		0	-50,884	-50,884
<i>VEOLIA OTHER</i>	56-565-498		90,000	30,007	120,007
<i>POLICE-ADVERTISING</i>	10-5254-30		1,000	125	1,125
<i>POLICE- FEDERAL NARCOTICS</i>	10-525-619		0	29,001	29,001
<i>POLICE-SEMINARS/DUES/TRAVEL</i>	10-525-602		25,800	2,379	28,179
<i>POLICE-ELECTRONICS</i>	10-525-543		26,500	6,500	33,000
<i>MUSEUM EXPANSION EXPENSE</i>	10-578-485		2,900	31,945	34,845
			217,896	99,445	317,341
		<b>Net effect on Fund Balance:</b>		<b>DECREASE</b>	<b>\$99,445</b>

RESOLUTION NO. 2016-2489

A RESOLUTION OF THE CITY COUNCIL OF THE CITY OF FREEPORT,  
TEXAS, REMOVING \_\_\_\_\_  
FROM THE PLANING COMMISSION OF SAID CITY.

WHEREAS, the City Council of the City of Freeport, Texas (the City)  
made, constituted and appointed \_\_\_\_\_  
\_\_\_\_\_ as a member or members of the Planning  
Commission of the City and now desires to remove such person or persons  
from such office.

NOW, THEREFORE, BE IT RESOLVED BY THE CITY COUNCIL OF THE CITY OF  
FREEPORT, TEXAS:

SECTION ONE (1): REMOVAL

The City Council of the City hereby removes \_\_\_\_\_  
\_\_\_\_\_ as a member or members of Planning Commission  
[00name of board or commission] of the City.

READ, PASSED AND ADOPTED this \_\_\_\_ day of \_\_\_\_\_, 2016.

\_\_\_\_\_  
Norma Moreno Garcia, Mayor  
City of Freeport, Texas

ATTEST: \_\_\_\_\_  
Delia Munoz, City Secretary  
City of Freeport, Texas

RESOLUTION NO. 2016-2489

A RESOLUTION OF THE CITY COUNCIL OF THE CITY OF FREEPORT,  
TEXAS, REMOVING \_\_\_\_\_  
FROM THE PLANING COMMISSION OF SAID CITY.

WHEREAS, the City Council of the City of Freeport, Texas (the City) made, constituted and appointed \_\_\_\_\_ as a member or members of the Planning Commission of the City and now desires to remove such person or persons from such office.

NOW, THEREFORE, BE IT RESOLVED BY THE CITY COUNCIL OF THE CITY OF FREEPORT, TEXAS:

SECTION ONE (1): REMOVAL

The City Council of the City hereby removes \_\_\_\_\_ as a member or members of Planning Commission [00name of board or commission] of the City.

READ, PASSED AND ADOPTED this \_\_\_\_ day of \_\_\_\_\_, 2016.

\_\_\_\_\_  
Norma Moreno Garcia, Mayor  
City of Freeport, Texas

ATTEST: \_\_\_\_\_  
Delia Munoz, City Secretary  
City of Freeport, Texas